

Aerosol Filter

AF1



FEATURES

- » Economical
- » Light in weight
- » No maintenance
- » Easy for installation

ADVANTAGES

- » Secure protection against condensate & dust
- » Less process drop
- » Highly reliable in continuous operation
- » Corrosive resistive material

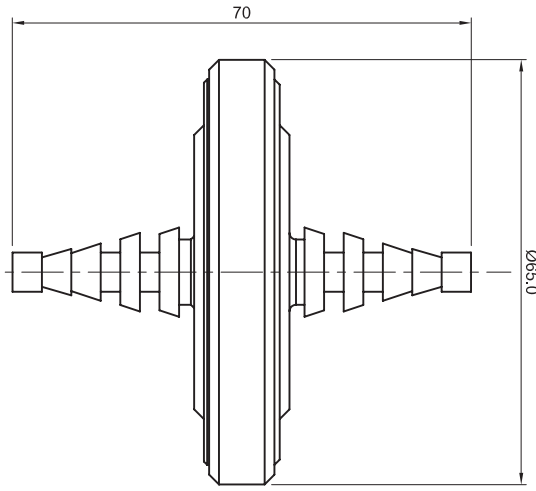
DESCRIPTION

Reliable and long term operation of any process analyser depends upon the efficiency of the sample conditioning system for which dust, solid particulate and moisture free sample gas is most essential.

Axis AF1 is equipped with efficient filter to provide dust, solid particulate and moisture free sample gas by ensuring security of the analyser. It is not reusable filter. When it is exhausted with severe contamination outlet of filter will be very less or negligible means no flow at outlet. If this condition occurs means it is time to replace the new filter.

It is widely used in Gas Analysis System (GAS), waste water incineration plants, biogases plants, ambient monitoring systems, Cement, Glass, Steel as well as paper industries. It is not recommended to use in aromatic hydrocarbons means oils and fuels in refinery process gases.

DIMENSION DETAILS



FRONT VIEW

All Dimension are in MM

TECHNICAL SPECIFICATION

General	Mounting	Horizontal or Vertical
	Dimensions	65 mm x 70 mm (L)
	Sample	Flue Gas / Stack Gas
	Material	PVDF
	Weight	Approx. 30 gm
Connections	Sample Gas Inlet & Outlet	6 mm stepped house
Functionality	Media temperature	Up to 80°C
	Ambient Temperature	0°C - 50°C
	Pressure	Max. 2 Bar
	Flow Rate	Max. 400 LPH
	Filtration ratio	< 0.2 µm

SPARE / ACCESSORIES

Description	Part No.	Quantity
Aerosol Filter	AF1	1 No.

APPLICATION EXAMPLE

