

# Auto Shut-off Valve

## ASV1



ASV1



ASV1-A



### FEATURES

- » Desirable for balanced service in high temperature
- » Ease for installation
- » Fully mechanical device
- » Alarm contact ( Optional )
- » Fix temperature shut off
- » Manual Reset facility

### ADVANTAGES

- » Rugged, compact design
- » No power source require
- » Reliable tight shut off
- » No – leakage up to define range
- » Corrosion resistive material
- » Fast response to shut off

### DESCRIPTION

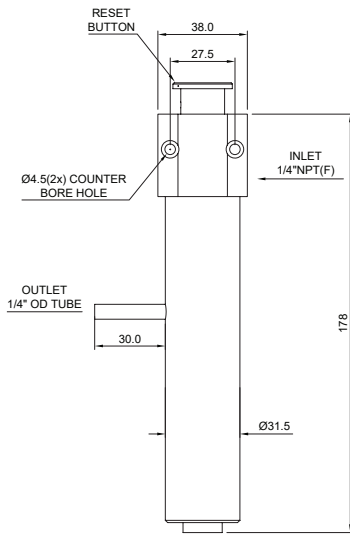
Definitive for extended operation of SWAS depends upon the principle of sample conditioning components for which accurate pressure flow and temperature control is most essential.

Excessively hot samples can cause damage to expensive and sensitive sample conditioning components of the process analyzer. The auto shut-off valve is widely used in Steam Water Analysis Systems ( SWAS ) in power plants.

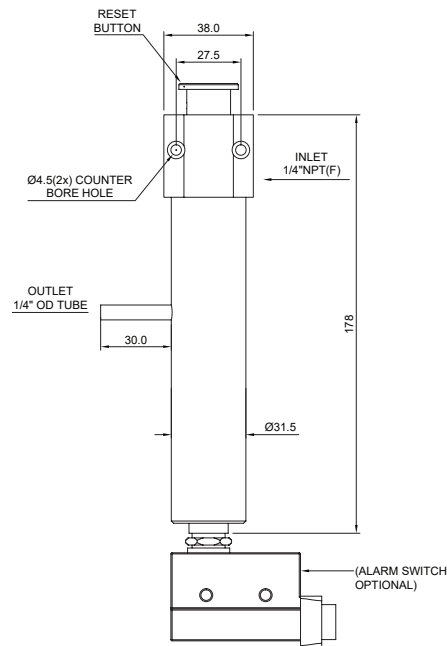
The AXIS provides a very reliable Auto shut-off valve also called ASV1. This is functioning directly exposed to the sample media via the thermal expansion principle using wetted media. ASV1 is a self-reliant, fully mechanical device that required no external source of electricity or pneumatic or hydraulic. It is developed to sustain the sample temperature up to  $50^{\circ}\text{C} \pm 2^{\circ}\text{C}$ . After shutting off ASV1, it must be reopened by pressing the manual reset button which ensures the no flow resumes and the safety of the upset component has been amended.

The AXIS ASV1 is constructed with SS 316 and other wetted parts are compatible with boiler water and steam. ASV1 is mainly used downstream of the pressure-reducing component and upstream of analyzers, flow meters, and other low-pressure devices. After shutting off the upstream side of the ASV1 will be opened to the full source pressure.

### DIMENSION DETAILS



FRONT VIEW  
Without Alarm



FRONT VIEW  
With Alarm

All Dimension are in MM

### TECHNICAL SPECIFICATION

General	
Mounting	Horizontal* / Vertical
Dimensions	Refer above dimension details
Sample	Steam or water
Material	SS 316 , Viton , PEEK
Weight	Approx. 1.1 Kg
Connections	
Sample Inlet	1/8" NPT (F)
Sample Outlet	1/4" OD Tube
Functionality	
Media temperature	< 120°C
Ambient Temperature	0°C - 50°C
Shut off Temperature	50°C ± 2°C (Note 1)

Note 1: if ambient temperature is more than shut off temperature ,it is necessary to hold the valve open for some time until the sample flow cools down.

Note 2: ASV1 will not function if the downstream pressure exceed 17 bar

(\* ) Inlet connection should be at top

### PRODUCT

Description	Part No.	Quantity
Auto Shut-off Valve	ASV1	1 No.
Auto Shut-off Valve with Alarm	ASV1 - A	1 No.

### APPLICATION DIAGRAM

