



Needle valve NVT-3

PTFE needle valves for fine regulation are indispensable in measurement and control system as well as in analysis and laboratory technology.

These needle valves are intended for fine regulation of highly aggressive mediums. The precise spindle adjustment to the valve seat allows for very fine adjustments. The valves can be used for gaseous and liquid mediums.

Corrosion-resistant materials

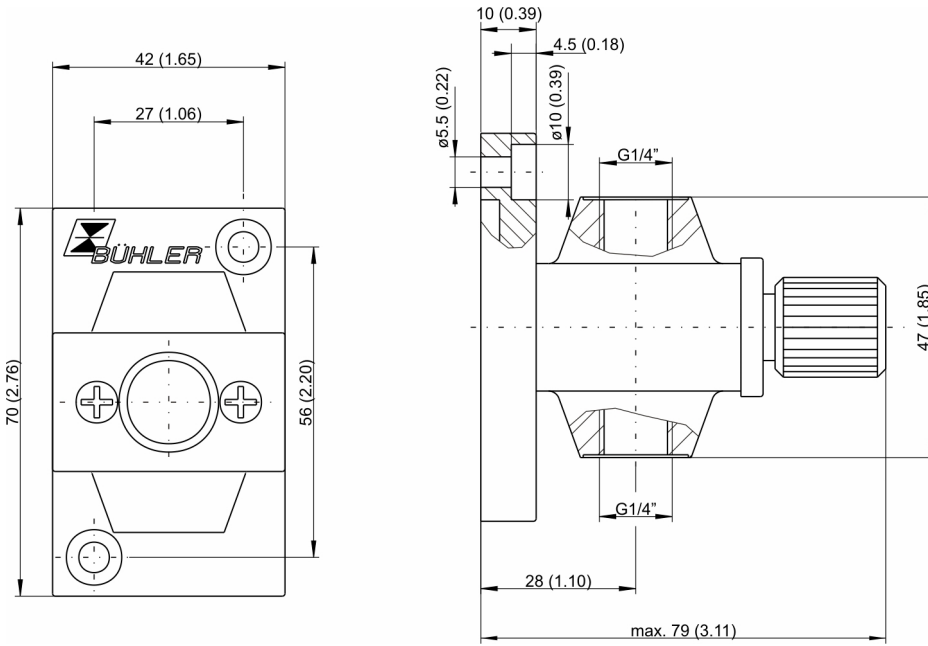
Easy installation

Axis Solutions Pvt Ltd is the Authorized Distributor of Bühler Technologies GmbH in India
www.axisindia.in | info@axisindia.in



Dimensions

All dimensions in mm (inch)



Use in explosive areas (additional notices):

The type plate on NVT-3 needle valves has no Ex classification, as the mediums do not fall under Directive 2014/34/EU. However, they do meet the fundamental safety requirements of Directive 2014/34/EU and are therefore suitable for use in Ex areas (Zone 1, explosion group IIB). Explosion group IIC non-flammable and flammable gasses which may occasionally be explosive during normal operation may be conveyed through the needle valves (Zone 1).

DANGER

Use in explosive areas

Flammable gasses and dust could ignite or explode. Avoid the following hazard sources:

Electrostatic charge (sparking)!

Always clean plastic housing parts and decals with a damp cloth.
Keep the gas flow free from particles and drops.

Gas emanation!

Protect the equipment from external blows (shockproof installation).
Risk of fatal injury and explosion hazard from gas leaks due to improper use.
Close the shut-off valve (if applicable) to the process or switch off the process for maintenance. Protect yourself from hot and toxic gases. Wear gloves and face shield.



Technical Data

Needle valves

Material:	see ordering information
Connections:	G 1/4
Flow rate:	up to approx. 400 NI/h air
Max. operating pressure:	6 bar
Medium temperature max.	130 °C
Ambient temperature:	-20 °C to +80 °C

NOTICE! Please note: The NVT-3 needle valve is not suitable as a shut-off valve.

Ordering instructions

Item no.	Model	Area of application	Material
40 01 899	Needle valve NVT-3	for standard applications	PTFE, PVDF, Viton
40 01 799	Needle valve NVT-3-SO	for extremely aggressive mediums	PTFE, PCTFE, perfluorelastomer