



## Ad-/Absorption Filter ADF-PV-30-L

Gas analysis is a complex field. The sample gas to be analysed must be extracted and handled under quite diverse conditions to yield representative and reliable analysis results. There frequently is a need to remove gaseous components from the sample gas through adsorption/absorption.

The ADF-PV-30 is a housing suitable for this application. Made from PVDF and glass and equipped with Unique quick-release fastener, it can be filled with various adsorbents/absorbents. The bottom gas inlet ensures sufficient contact times.

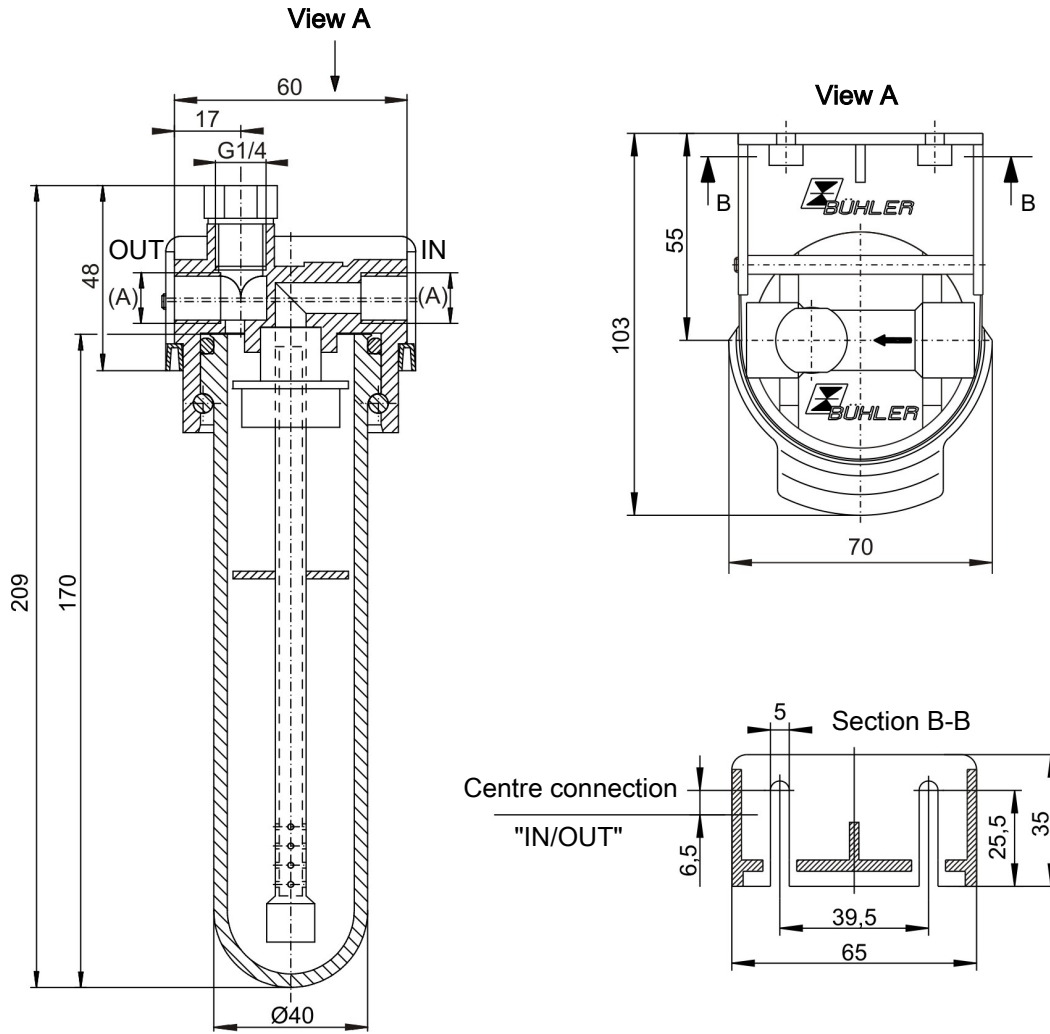
Bühler Unique quick-release fastener

Quick and easy filter material changes without tools

Variable wall mount



Dimensions



Technical Data

ADF-PV-30-L Ad-/Absorption Filter

Material – Filter head	PVDF
Material – Filter cover	Glass
Material – Gasket	Viton
Thread	G1/4 or NPT 1/4" (see ordering information)
Weight	approx. 0.3 kg
Fill volume	120 ml
Operating pressure max.	4 bar
Operating temperature max.	100 °C (without adsorbent/absorbent)

Ordering instructions

Filter\*

Item no.	Model	Connections
41 52 099	ADF-PV-30-L	G1/4
41 52 099I	ADF-PV-30-L-I	NPT 1/4"

\* without adsorbent/absorbent.

Axis Solutions Pvt Ltd is the Authorized Distributor of Bühler Technologies GmbH in India  
[www.axisindia.in](http://www.axisindia.in) | [info@axisindia.in](mailto:info@axisindia.in)