



Ambient Air Filter RAF-PV-30

The AGF-PV-30 series features a PVDF and glass housing and is equipped with the Bühler Unique quick-release fastener. The filter head has an additional connection for installing a moisture detector. A variety of materials is available based on the application.

Warehouse technology and other areas in food technology frequently require monitoring the composition of the ambient atmosphere. Ensuring reliable analysis results requires conditioning the sample gas. This also includes filtering out any particular matter in the sample gas.

Bühler Unique quick-release fastener

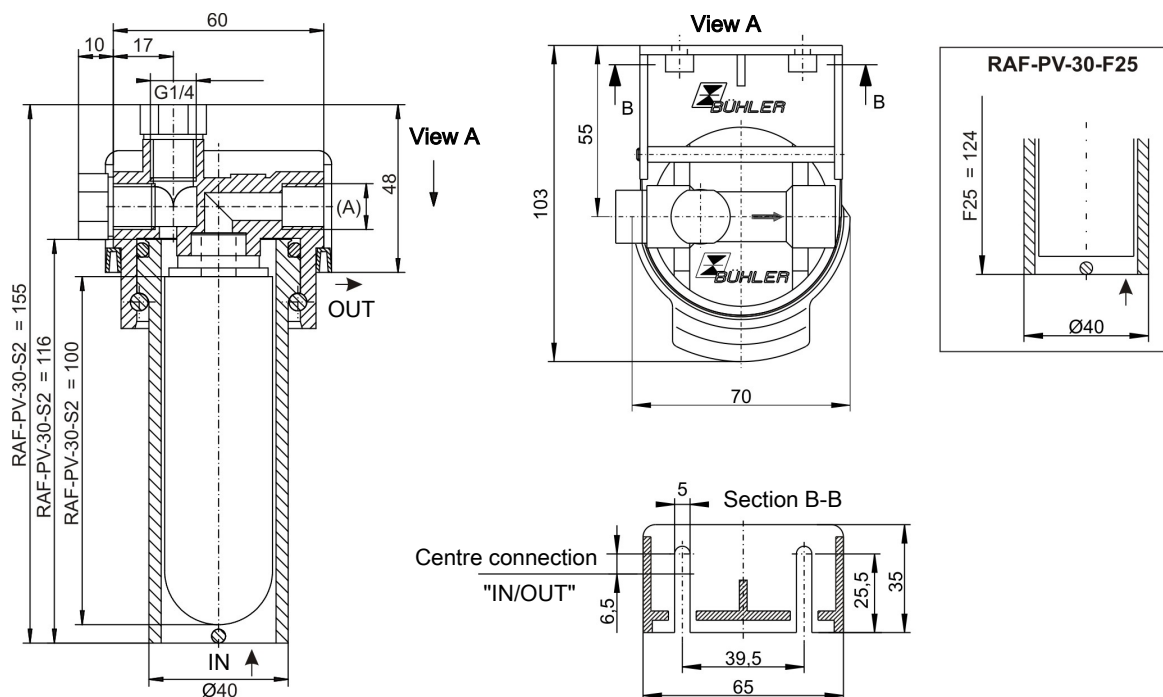
Very quick and easy filter changes without tools

Variable wall mount

Axis Solutions Pvt Ltd is the Authorized Distributor of Bühler Technologies GmbH in India
www.axisindia.in | info@axisindia.in



Dimensions



Use in explosive areas (additional notices):

The filter meets the fundamental safety requirements of Directive 2014/34/EU and is suitable for use in Category 2G, Explosion class IIB areas. The filter is not marked, as it does not have an innate ignition source and Directive 2014/34/EU therefore does not apply.

Flammable gases, explosion class IIB or IIC, which could occasionally be explosive during normal operation may be conveyed through the filter.

Be sure to observe the instructions in the respective operating instructions!

Ambient temperature range for Ex area applications: $-5\text{ °C} \leq T_{\text{amb}} \leq 60\text{ °C}$.

Technical Data

RAF-PV-30 Ambient air filter

Material – Filter head	PVDF
Material – Filter cover	Glass
Material – Gasket	Viton
Thread (A)	G1/4 or NPT 1/4" (see ordering information)
Weight	approx. 0.28 kg
Operating temperature max.	100 °C

Ordering instructions

Filter*

Item no.	Model	Filter fineness	Element	Connections
41 52 199	RAF-PV-30-S2	2 µm	S2	G1/4
41 52 199I	RAF-PV-30-S2-I	2 µm	S2	NPT 1/4"
41 52 299	RAF-PV-30-F25	25 µm	F25	G1/4
41 52 299I	RAF-PV-30-F25-I	25 µm	F25	NPT 1/4"

* one filter element is included with delivery.

Filter elements

Item no.	Model	Filter element	Material	Filter fineness	Filter surface	Packing unit	Ex application
41 01 001	S2	Sleeve	Fibreglass	2 µm	80 cm ²	5 pieces	IIC
41 01 002	S2	Sleeve	Fibreglass	2 µm	80 cm ²	25 pieces	IIC
41 02 013	F25	PTFE	Sintered PTFE	25 µm	60 cm ²	5 pieces	IIB