

ENP1U02252

5-Port Industrial Gigabit Ethernet Switch

5*10/100/1000Tx, 12-56VDC Power Input or 18VAC - 36VAC

e-BRiX

Feature

Unmanaged

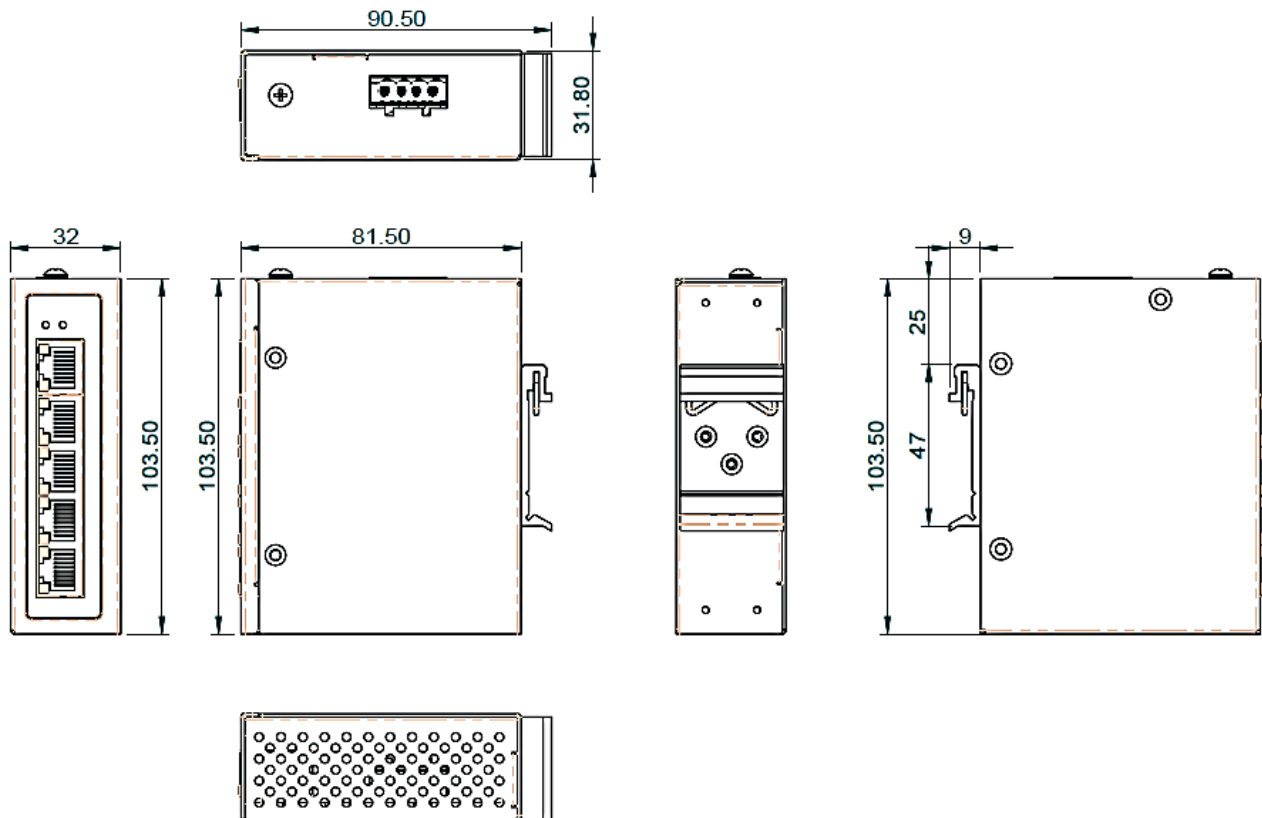
Gigabit



- 5-port 10/100/1000Tx Gigabit Ethernet
- Redundant Power Input Design, 12-56VDC or 18VAC - 36VAC
- IP30 Rugged Metal Case Design
- DIN-Rail Mounting, Wall Mounting
- Operating Temperature Range : -40°C ~ 75°C



Dimensions (unit = mm)



Specifications

Technology

Standards	IEEE 802.3 10Base-T Ethernet IEEE 802.3u 100Base-TX Fast Ethernet	IEEE 802.3ab 1000Base-T Gigabit Ethernet IEEE802.3x Flow Control and Back Pressure,
Processing Type	Store and Forward	
Protocol	CSMA/CD	
Flow Control	IEEE 802.3x Flow Control and Back Pressure	

Switch Properties

Switch Architecture	Back-plane (Switching Fabric): 10Gbps
Jumbo Frame	9KB
Packet Buffer Size	1M
MAC Table size	8K

Interface

RJ45 Ports	5xRJ-45 10/100/1000BaseT(X) auto negotiation, Auto MDI/MDI-X function, Full/Half duplex
LED Indicators	Pw1 (Green): ON - Power is detected Pw2 (Green): ON - Power is detected
Network Cable	UTP/STP above Cat.5e Cable EIA/TIA-568 10-ohm (100m)

Power Requirements

Input Voltage	12VDC-56VDC or 18VAC-36VAC
Overload Current Protection	Present
Reverse Polarity Protection	Present
Power Consumption	2.76W@48 VDC full load

Mechanical Characteristics

Housing	Rugged Aluminum, IP30 protection
Dimensions	103.5 x 32 x 81.5 mm (L x W x D)
Mounting	DIN Rail and Wall Mount options included
MTBF (mean time between failure)	>500,000 hrs (MIL-HDBK-217F) at 25°C

Environmental Limits

Operating Temperature	-40°C to 75°C
Storage Temperature	-40°C ~ 85°C (-40°F ~ 185°F)
Operating Humidity	5% to 95% (Non-condensing)

Regulatory Approvals

EMI	FCC Part 15 Subpart B Class A
EMC/EMS	CE, FCC, VCCI
Free Fall	EN 60068-2-32
Shock	EN 60068-2-27
Vibration	EN 60068-2-6
Safety	UL60950-1, IEC EN60950-1

Regulatory Approvals

ENP1U02252	5-Port Industrial Gigabit Ethernet Switch
-------------------	---

Due to continuous improvement, all product specifications are subject to change without further notice.