



**Multi-use device  
reduces installation space  
and makes maintenance easy**

- Flange dimensions according to DIN 24557 Part 2
- Air breather filter with integrated level and temperature monitoring
- Filling port with quick disconnect device
- Sample port with quick disconnect device
- Visual monitoring of the air breather filter optional

## Technical Data

## FC-Terminal

### Basic

Max. operating pressure	1 bar
Max. operating temperature	80 °C
Dimensions L*	280, 370, 500 (standard) variable (up to 1420)
Weight at L=500 mm	approx. 5 kg

\* Please note that the dimensions L for filling port and selected level switch must match each other!

### Material

Stilling tube	brass
Flange	steel

### Option 1

Sample port	
Hose coupling (DN 5)	<b>PSK</b>
Pressure measuring connectors (test points M16)	<b>PMM</b>

### Option 2

Filling port	
Type: Walther (DN 19)	<b>BWA</b>
Type: Stäubli (DN 11)	<b>BST</b>
Plug	<b>BBS</b>

### Option 3

Clogging indicator	
Vacuum switch (electr.)	<b>VUS</b>
Plug	<b>VBS</b>

### General note

The Fluidcontrolterminal is always composed of two parts. First part is the filling port described in this data sheet and the second part is the level switch. An overview of appropriate level switches is given on page 3. Please refer to the corresponding data sheet of the level switch for detailed information. The following example gives a hint for ordering a specific configuration.

### Ordering example:

You need: A **filling port**, length L = 370 mm, with quick disconnect, filling port type Walther and electronic vacuum switch.

The **level switch** should be of type Nivovent 74 made of brass, length 370 mm, connector M12, one level contact at L1 = 190 mm as normally open contact (NO), one temperature contact at 60 °C as normally closed contact (NC) and air breather filter with visual clogging indicator.

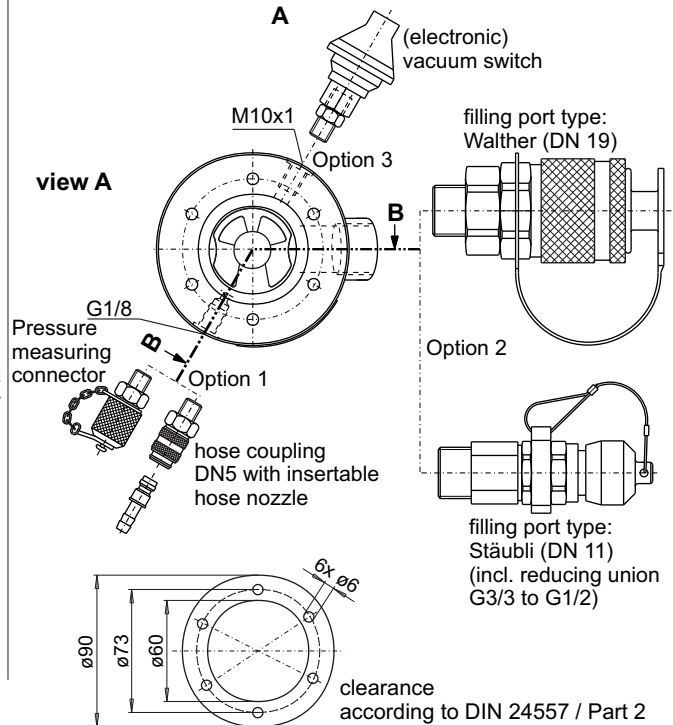
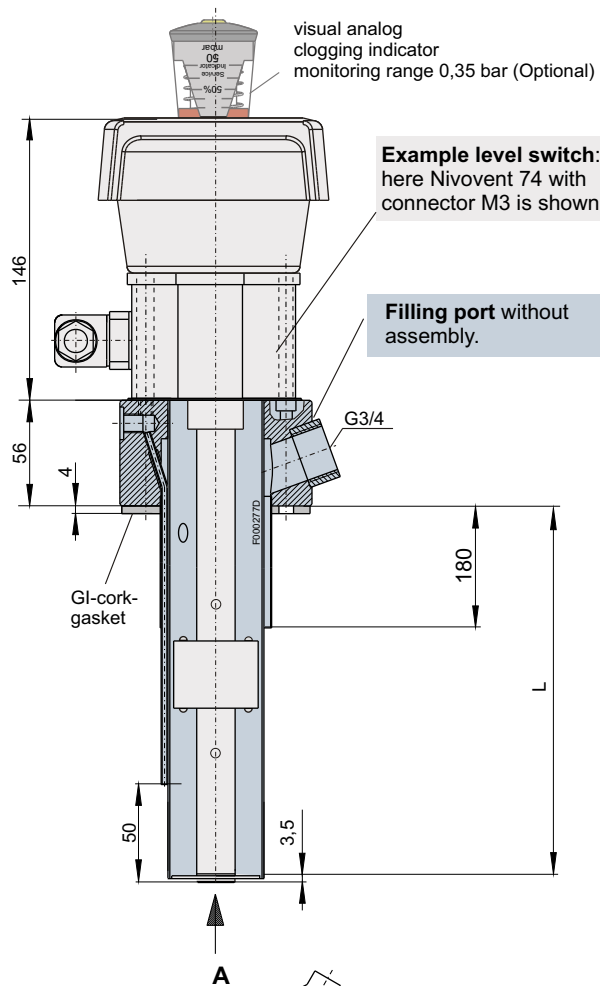
You order: Fluidcontrolterminal composed of:

Filling port  
**FC-T-G3/4-370-PMM-BWA-VUS**

and level switch (refer to page 3)

**NV 74-HY-MS-M12/370-1K-TK60NC-FCT-VS**

L1 = 190 mm NC



## Product code for Fluidcontrolterminal

**FCT-G3/4**

Length mm (max. 1420 mm)

**280 / 11**  
**370 / 14.6**  
**500 / 19.7**

variable (please specify)

### Option 1

<b>PSK</b>	hose coupling (DN 5)
<b>PMM</b>	quick disconnect (M16)

### Option 2

<b>BWA</b>	type: Walther (DN 19)
<b>BST</b>	type: Stäubli (DN 11)
<b>BBS</b>	plug

### Option 3

<b>VUS</b>	vacuum switch (electr.)
<b>VBS</b>	plug

**Level switch: NV 74-FCT for Fluidcontrolterminal**  
**- For technical data please refer to data sheet DA 10 0205**

- Hydac air breather filter
- Quick and easy adjustable level contacts
- Plug and play system
- Up to 4 contacts
- Bi-metal contacts, Pt 100 or 4-20 mA signal output for temperature
- NV 74D equipped with display and control unit
- Easy operation via 3 keys
- Highly visible LED display
- Up to 4 programmable temperature switching outputs
- Optional continuous temperature output signal, programmable 4-20 mA, 0-10 V or 2-10 V

easyjust



**Level switch: NV 71-FCT for Fluidcontrolterminal**  
**- For technical data please refer to data sheet DA 10 0204**

- Hydac air breather filter
- Level and/or temperature control
- Up to 4 contacts
- 230 V applicable
- Bi-metal contacts, Pt 100 or 4-20 mA signal output for temperature
- NV 71D equipped with display and control unit
- Easy operation via 3 keys
- Highly visible LED display
- Up to 4 programmable temperature switching outputs
- Optional continuous temperature output signal, programmable 4-20 mA, 0-10 V or 2-10 V



**Level switch: NV 73-FCT for Fluidcontrolterminal**  
**- For technical data please refer to data sheet DA 10 0206**

- Continuous level measurement
- Hydac air breather filter
- Optional with continuous temperature measurement, 4-20 mA output
- Resolution 5 mm
- Diverse connectors
- Immersion depth up to 1420 mm (longer upon request)



**Level switch: NV 77-XP-FCT for Fluidcontrolterminal**  
**- For technical data please refer to data sheet DA 10 0203**

- Continuous level measurement
- Hydac air breather filter
- 4-20 mA output
- Resolution 5 mm
- Immersion depth up to 1420 mm
- Display and control unit
- Four switching outputs programmable as level or temperature output
- Optional two switching outputs programmable as level or temperature output plus 1 analogue output each for continuous analog output for level and temperature control
- Analogue output programmable as 4-20 mA, 0-10 V, 2-10 V or 0-5 V
- Display of actual values for level or temperature (switchable)

