

Miniature Header

MH1



MH1 WITH ASV (OPTION 1)



MH1 WITH ASV (OPTION 2)

Patent Applied No. 201721047454



FEATURES

- » Designed for SWAS System application
- » Suitable for long service in high temperature and pressure
- » Easy to install with NPT thread
- » Heavy duty, rugged bodies with extra heavy bore
- » No-leak joints

ADVANTAGES

- » An integrated single unit consists of the strainer, process header, needle valve with drain, TI, PI, and temp control (ASV/SOV-Switch)
- » Reduces the size of the mounting plate
- » Reduces the cost of tubing, fitting, mounting space, no. of components, timing, hardware, and labor.
- » Maintenance free
- » Easy replacement of all components
- » Cleaning port available
- » Single SS material option ensures high reliability of the component
- » No. of joints is reduced so no more leakages in the system

DESCRIPTION

AXIS represents numerous types of components covered in a single manifold. manifold is designed for Steam and Water Analysis System (SWAS) applications. The manifold features a horizontal body design. Manifold connections include NPT female thread. The flow of sample through an AXIS manifold is controlled by filtering the sample, over temperature protection, process chamber, measuring the temperature and pressure, and maintaining the back pressure by this Miniature Header. Each component has a specific function to maintain the back pressure and protection over high sample temperatures.

TECHNICAL FEATURES

Body Design of Manifold

Single piece construction design ensures more strength and minimum leakage

MOC of Manifold

All components and parts are of SS 316 Construction

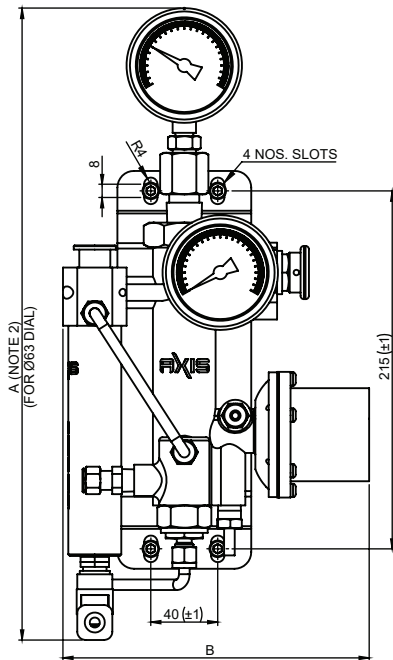
Internal Finish

Burr-free threads and internal surfaces reduce leaks, promoting accurate transmitter readings.

Fitting

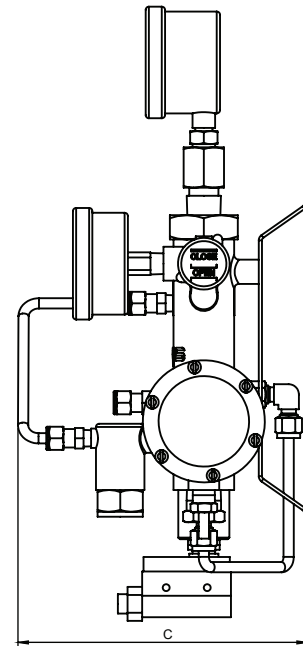
Avoiding fitting will ensure that we have a trouble-free operation in the future and any maintenance hassles.

DIMENSION DETAILS

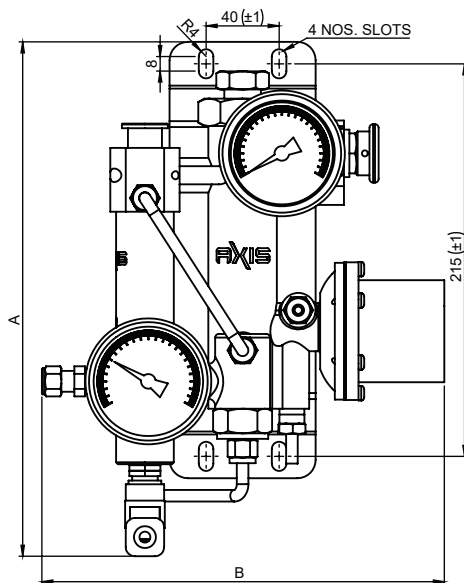


FRONT VIEW

MH1 WITH ASV (OPTION 1)

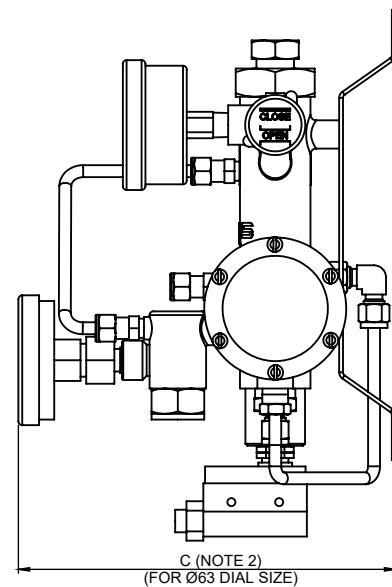


SIDE VIEW



FRONT VIEW

MH1 WITH ASV (OPTION 2)



SIDE VIEW

All Dimension are in MM

DIMENSION TABLE

	A (mm)	B (mm)	C (mm)
MH1 WITH ASV (OPTION 1)	380	183	179
MH1 WITH ASV (OPTION 2)	282	220	200
MH1 WITH SOV (OPTION 1)	359	187	181

Note: 1) All dimensions are subjected to tolerance of ±5 mm.
2) Dimension depends on make of gauge

COMPONENTS COVERED

- » Needle valve with drain (NVD1)
- » Pressure Indicator (PI)
- » Temperature Indicator with thermowell (TI)
- » Back Pressure Regulator (BPR)
- » Strainer (F)
- » Header
- » Auto shut off valve (ASV) or SOV with Temperature Switch

Optional

1. Temperature Indicator with 100 mm dial size
2. Pressure Indicator with 100 mm dial Size
3. Temperature switch with solenoid Valve
4. Alarm contact for Auto shut off valve

TECHNICAL SPECIFICATION SPARES

Spare / Accessories list for Miniature Header with Auto Shut off Valve Option

Sr. No.	Description	Part No.	Qty.
1	Strainer Element , 40 Micron	ASPL6388	1 No.
2*	Temperature Indicator ; Dial : 63 mm ; Bottom entry ; SS 304	ASPL7359	1 No.
3*	Temperature Indicator ; Dial : 100mm ; Bottom entry ; SS 304	ASPL7596	1 No.
4*	Temperature Indicator ; Dial : 63 mm ; Back entry ; SS 304	ASPL7597	1 No.
5*	Temperature Indicator ; Dial : 100mm ; Back entry ; SS 304	ASPL7598	1 No.
6*	Pressure Indicator, Dial : 63 mm ; Back entry ; SS 304	ASPL7358	1 No.
7*	Pressure Indicator, Dial : 100 mm ; Back entry ; SS 304	ASPL7578	1 No.
8	Auto Shut off Valve	ASV1	1 No.
9	Alarm Switch	ASPL4012	1 No.
10	O-Ring Set (1 Pkt. Includes all 4 O-Rings)	ASPL7577	1 Pkt.
11	PTFE Washer (1 Pkt. Includes all 2 Washers)	ASPL7586	1 Pkt.

* Check Manufacturer before ordering

Spare / Accessories list for Miniature Header with Solenoid Valve Option

Sr. No.	Description	Part No.	Qty.
1	Strainer Element, 40 Micron	ASPL6388	1 No.
2*	Temperature Indicator ; Dial : 63 mm ; Bottom entry ; SS 304	ASPL7599	1 No.
3*	Temperature Indicator ; Dial : 100 mm ; Bottom entry ; SS 304	ASPL7600	1 No.
4*	Pressure Indicator, Dial : 63 mm ; Back entry ; SS304	ASPL7358	1 No.
5*	Pressure Indicator, Dial : 100 mm ; Back entry ; SS304	ASPL7578	1 No.
6	Temperature Switch	ASPL7587	1 No.
7*	3 Way Solenoid Valve, SS 316 , 1/4" NPTF, 110 VAC, 50 Hz	ASPL0029	1 No.
8*	3 Way Solenoid Valve, SS 316 , 1/4" NPTF, 230 VAC, 50 Hz	ASPL0027	1 No.
9	O-Ring Set (1 Pkt. Includes all 4 O-Rings)	ASPL7577	1 Pkt.
10	PTFE Washer (1 Pkt. Includes all 2 Washers)	ASPL7586	1 Pkt.
11	3 Way 4 Pin Connector	ASPL7579	1 No.
12	Socket	ASPL7550	1 No.

* Check Manufacturer before ordering