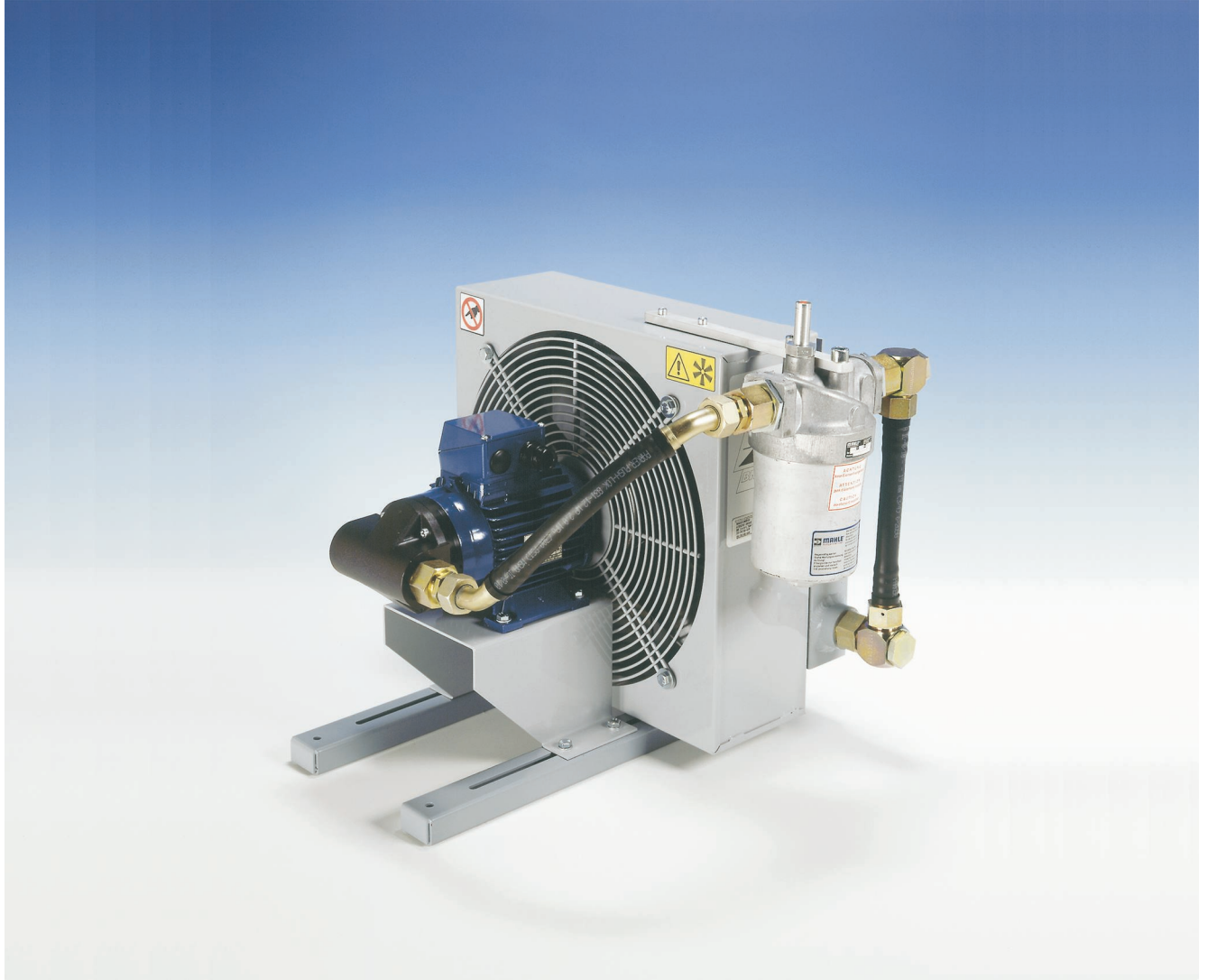


Off-line filter / cooler unit FGSL 15 / FGSL 30



The Reliability and the life time of hydraulic oil and components primarily depend on the cleanliness of the fluid and the limitation of the operating temperature.

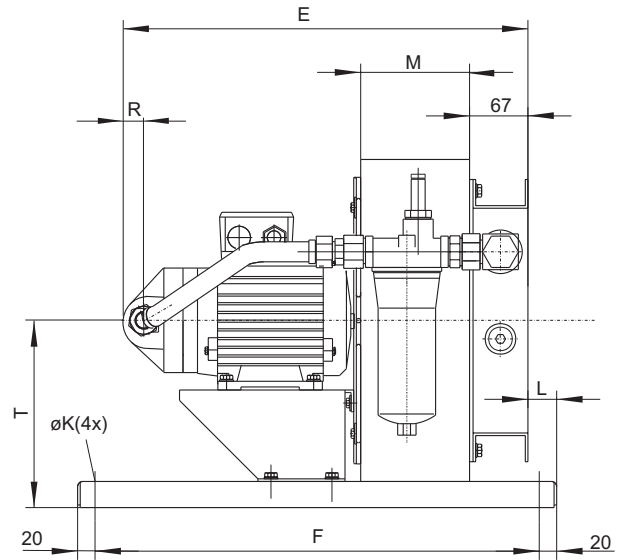
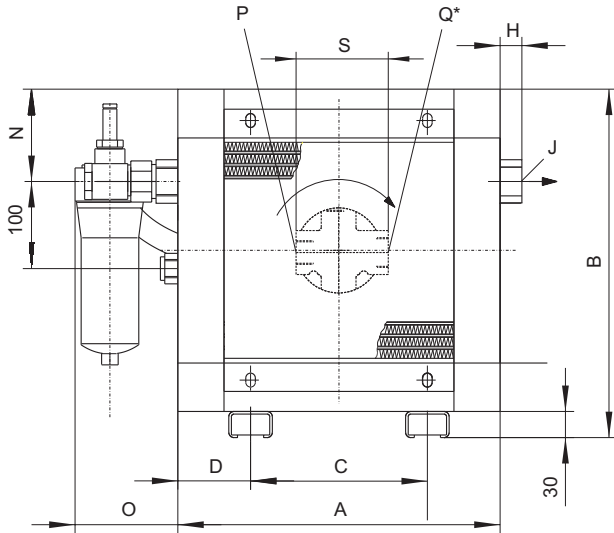
For systems with varying flow rates off-line filter/cooler units are the most appropriate solution.

Due to its compact design, the Bühler FGSL range of off-line units fit well into that segment of applications. Easy integration even allows upgrading of existing systems.

The unit is based on a Bühler BNK off-line air blast cooler with integrated circulation pump. Its low noise emission and easy maintenance are further advantages.

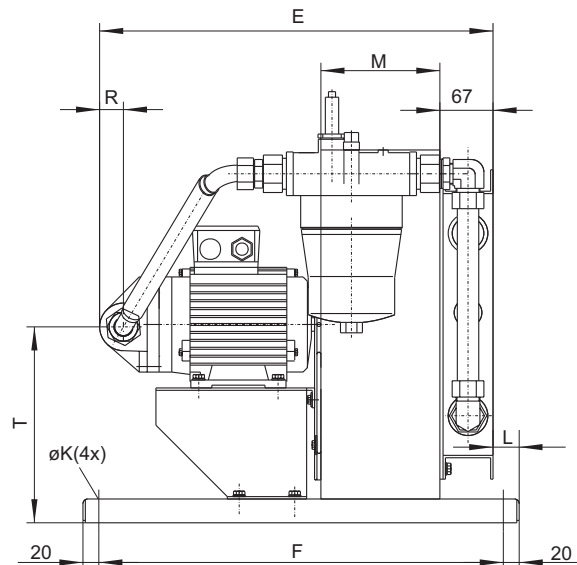
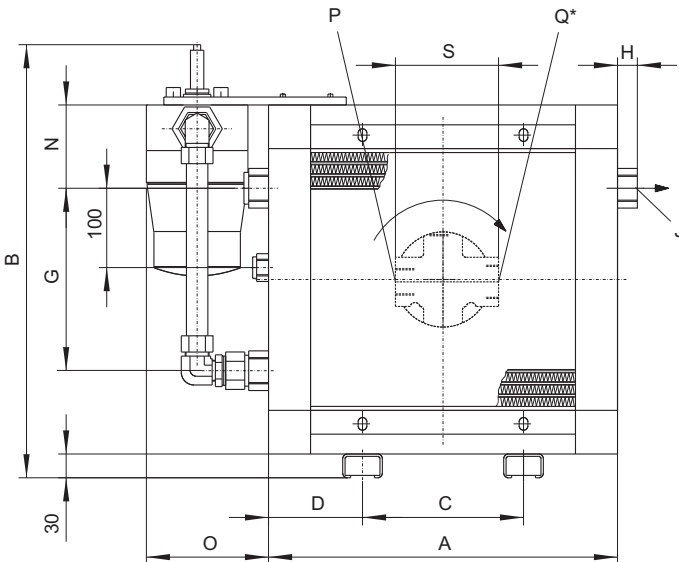
A qualified low pressure filter with broad retention spectrum ensures the required cleanliness class.

FGSL 15



F000005D Q* = Suction side

FGSL 30



F000006D Q* = Suction side

General Data

Part No.	Model	Spec. cooling performance (kW/K)	Cooling performance ETD=40K (kW)	Max. flow rate (l/min)	Power output Poles Full load at 400V	Weight (kg)	Volume (l)	Noise emission db(A)*
27004124IE2	FGSL 15/PI2008-57/BNK 2.4-15	0,09	3,6	15	0,75 kW / 4 / 1,94 A	32	2,3	66
27004086IE2	FGSL 30/PI2008-57/BNK 2.4-30	0,13	5,0	28	0,75 kW / 4 / 1,94 A	35	2,3	66
27004083IE2	FGSL 30/PI2015-57/BNK 3.4-30	0,24	9,6	28	0,75 kW / 4 / 1,94 A	40	2,8	71
27004088IE2	FGSL 30/PI2015-57/BNK 4.4-30	0,32	12,8	28	0,75 kW / 4 / 1,94 A	45	3,3	73

*DIN EN ISO 3744, Class 3

Dimensions (mm)

Model	A	B	C	D	E	F	G	H	J	K	L	M	N	O	P	Q	R	S	T
FGSL 15/PI2008-57/BNK 2.4-15	370	400	203	83,5	476	510	-	25	2xG1	9	33	125	106	118	G1	G1 ¼	30	130	199
FGSL 30/PI2008-57/BNK 2.4-30	370	400	203	83,5	474	510	-	25	2xG1	9	33	125	106	118	G1	G1 ¼	30	130	212
FGSL 30/PI2015-57/BNK 3.4-30	440	546	203	118,5	499	510	230	25	3xG1	9	33	150	105	154	G1	G1 ¼	30	130	247
FGSL 30/PI2015-57/BNK 4.4-30	500	595	203	148,5	524	510	230	25	3xG1	9	33	175	104	154	G1	G1 ¼	30	130	277

Accessories:

Filter elements and electrical contamination indicators are not included. Please ask for assistance.