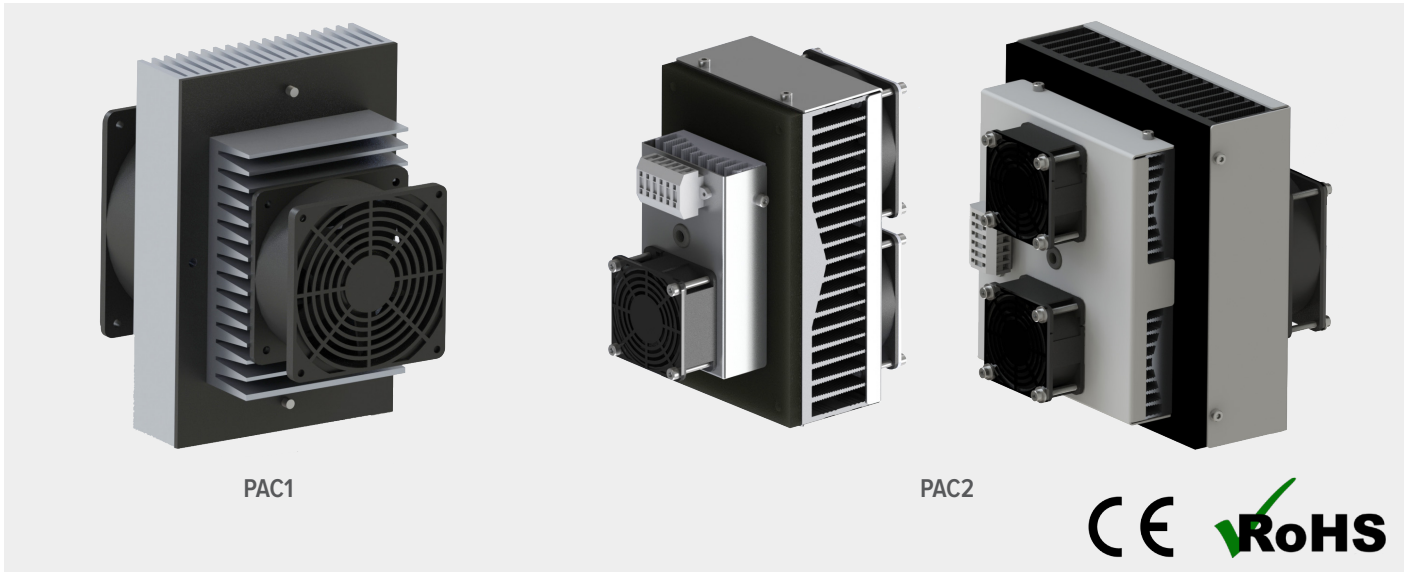


Peltier Air Conditioning Unit

PAC1 & PAC2



FEATURES

- » Cost effective
- » Easy for installation
- » Virtually maintenance free
- » No compressor

ADVANTAGES

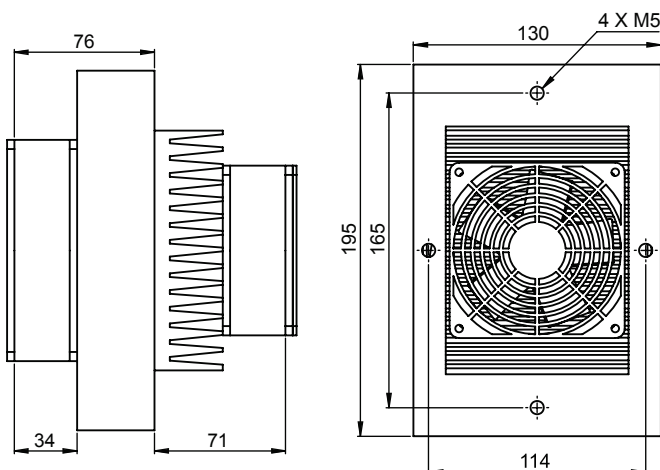
- » Less space for installation
- » Environmental friendly and safe
- » Precise control as final element is electronic (Peltier)
- » Can handle many typical application where other cooling device fails to perform

DESCRIPTION

Axis Peltier Air conditioning unit - PAC1 and PAC2 is designed to deliver continuous cooling to industrial panel to avoid overheating the system. It is mainly used where refrigeration based (compressor based) resources is a challenge. It is fully mechanical device hence very less maintenance is required. Used in all type of process industries where small panel / enclosure or switching cabinet want to cool.

Many features of the PAC1 and PAC2 make it ideal for wide range of cooling application. Basically it works on Peltier Effect; Peltier blocks are used with electronic circuit. PAC1 and PAC2 can work in the most adverse environment conditions. They are suited for working in high ambient temperatures or heavily polluted ambient air. The warm air inside the switching cabinet is blown into the cold exchanger by a fan and thereby cooled. There are not refrigerant and thus no danger of leakage. In addition, our switching cabinet coolers can therefore be used in moving or accelerating systems

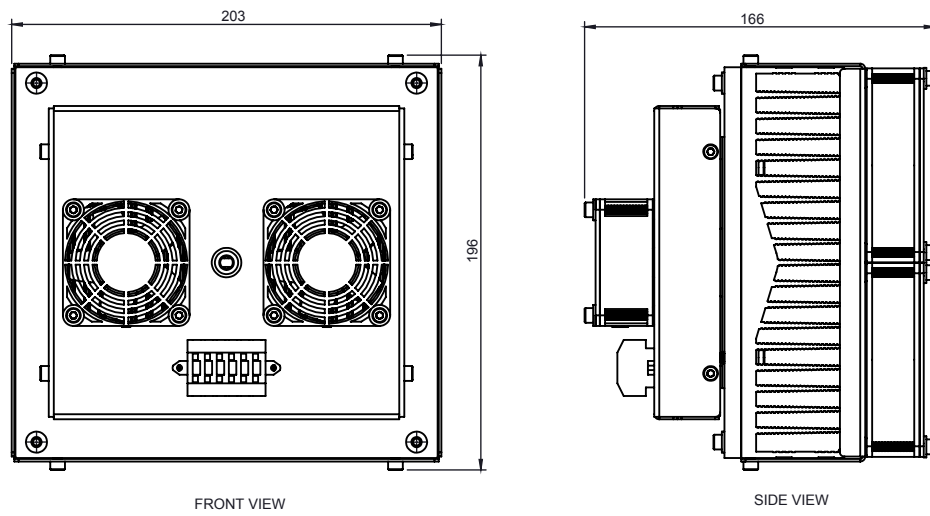
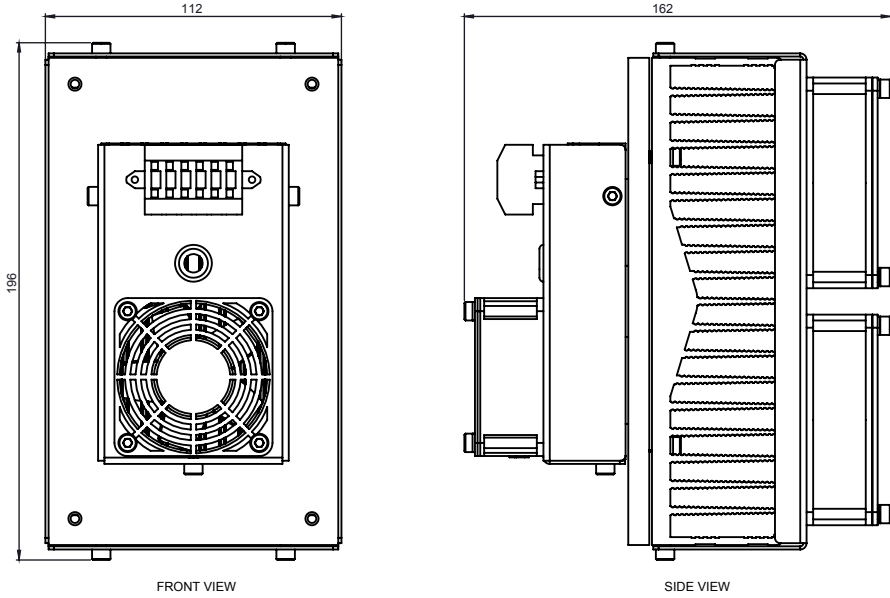
PAC1 DIMENSION DETAILS



PAC1 TECHNICAL SPECIFICATIONS

Mounting	Vertical mount
Power Supply	24 V DC
Dimension	Refer Dimension Detail
Operating Temperature	-40°C to +70°C
Nominal Power	Max. 100 W
Weight	2.5 Kg

PAC2 DIMENSION DETAILS



All Dimension are in MM

PAC2 TECHNICAL SPECIFICATIONS

Mounting	Vertical mount
Power Supply	24 V DC
Dimension	Refer Dimension Detail
Operating Temperature	+4°C to + 50°C
Nominal Power	Max. 90 W, 160 W
Weight	2.5 Kg , 4.6 Kg