

Pressure Regulator

PRg1 and PRg3



FEATURES

- » Economical
- » Wall / Line Mount
- » Less maintenance
- » Easy to install

ADVANTAGES

- » Less space occupied due to horizontal installation
- » Used up to 413.6 bar and 170°C media temperature
- » Highly reliable for continuous operation
- » Designed for precised Control

DESCRIPTION

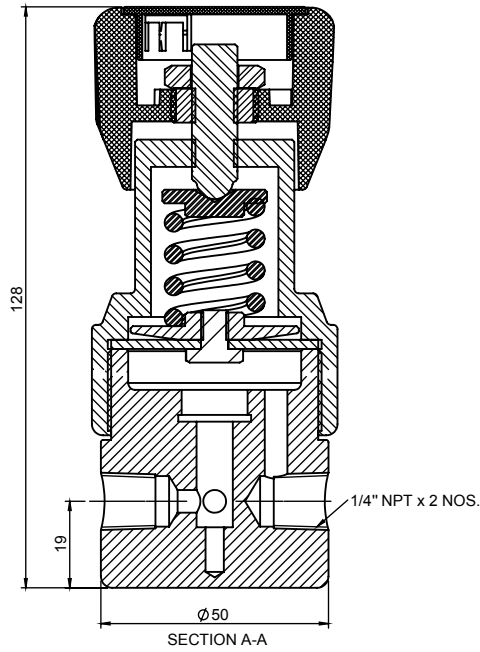
Axis Pressure regulator is designed to deliver continuous & precise control to further system. It is single stage pressure control regulator. It is mainly used in instrumentation sample handling system for all type of Gas media application.

Used in Oil and refinery, power, chemical and any type of process industries.

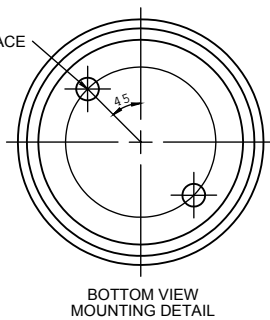
Many features of the PRg1 / PRg3 make it ideal for wide range of applications controlling pressures at low to adequate flows in gas media. It has wide operating range up to 413.6 bar and up to 170°C media temperature can be sustained. PRg3 can also be used for water application.

PRg1

DIMENSION DETAILS

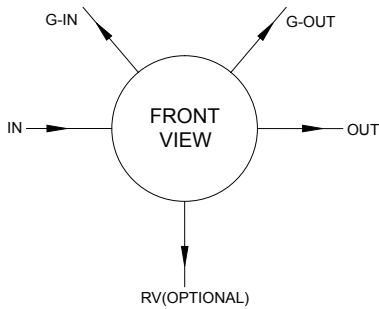


M5 x 0.8P x 2 NOS.
ON 33 P.C.D EQUAL SPACE



All Dimension are in MM

PORT LOCATION



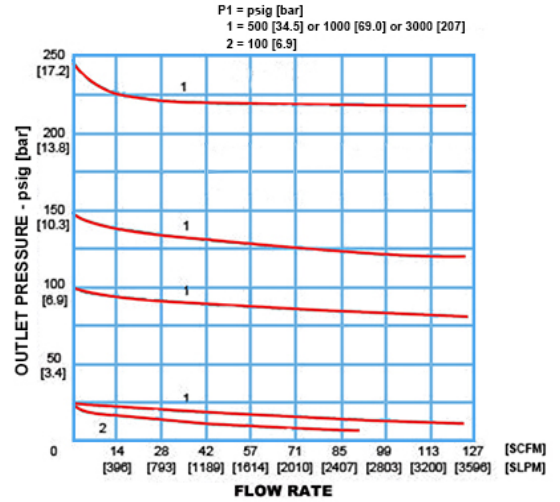
TECHNICAL SPECIFICATIONS

Mounting	Wall / Line
Body Material	SS 316 / Brass / Others on request
Seat Material	PEEK
Diaphragm	Nitrile / Viton / Metallic
Dimension	Refer Dimension Detail
Flow Capacity	Cv = 0.06
Connections	1/4" NPT (F)
Inlet Filter	1/4" OD 5µ
Inlet Pressure	Max. 413.6 bar (6000 psig)
Outlet Pressure	Max. up to 51.7 bar (750 psig)

Note : Clear Filter for avoid choke up

Important Note: Due to continuous product improvement; specifications may be subject to change without notice.
www.axisindia.in

PRESSURE RANGE WITH PERFORMANCE



ORDERING INFORMATION

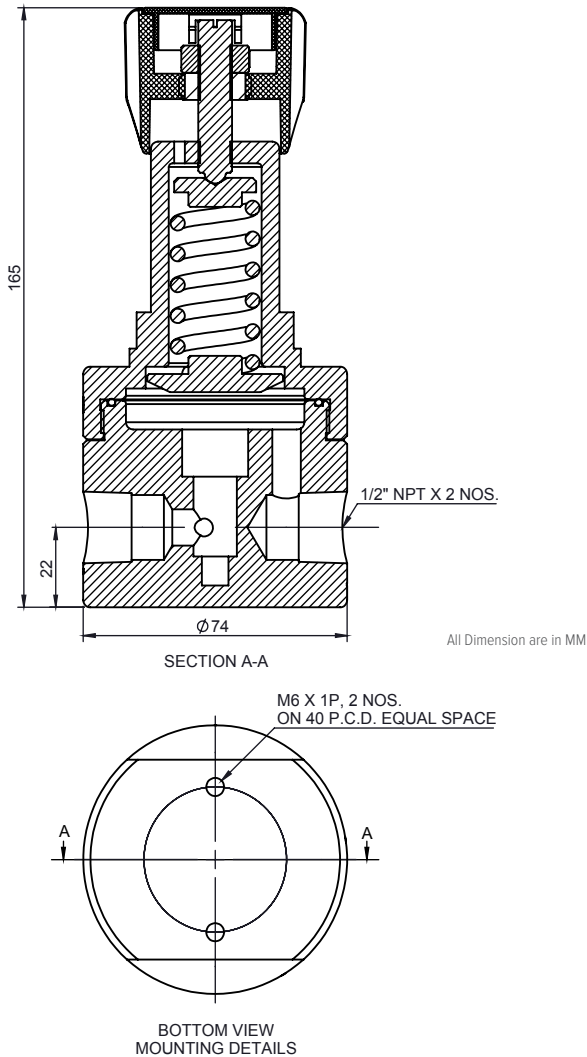
PRg1									9	9
Body Material										
0		SS 316								
1		Brass								
2		Others on request								
Flow Coefficient (Cv)										
0		0.06								
Seat Material										
0		PEEK								
Diaphragm Material										
0		Nitrile (Up to 70°C and 10 bar)								
1		Viton (Up to 170°C and 10 bar)								
2		Metallic (Up to 170°C and 51.7 bar)								
Output Range										
0		up to 0.68 bar (10 psig)								
1		Up to 1.72 bar (25 psig)								
2		Up to 3.45 bar (50 psig)								
3		Up to 6.8 bar (100 psig)								
4		Up to 17.2 bar (250 psig)								
5		Up to 34.4 bar (500 psig)								
6		Up to 51.7 bar (750 psig)								
Pressure Gauge Selection										
0		Without Gauge								
1		With Gauge								
Knob Option										
	0	Standard (Plastic)								
	1	Metal Nut (Note 1)								

Note 1

Where media itself can increased temperature during regulation.
For Example SF6 Gas

PRg3

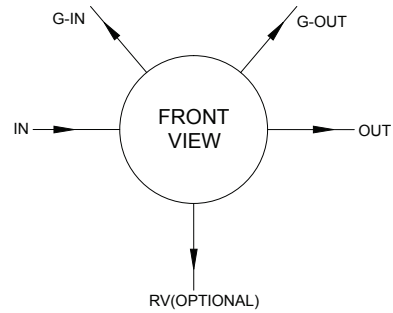
DIMENSION DETAILS



TECHNICAL SPECIFICATIONS

Mounting	Wall / Line
Body Material	SS 316 / Brass / Others on request
Seat Material	PEEK
Diaphragm	Nitrile / Viton / Metallic
Dimension	Refer Dimension Detail
Flow Capacity	Cv = 1.0
In/Out Connection	1/2" NPT (F)
Other Connections	1/4" NPT (F)
Inlet Pressure	Max. 413.6 bar (6000 psig)
Outlet Pressure	Max. up to 40 bar (580 psig)

PORT LOCATION



ORDERING INFORMATION

PRg3									9	9
Body Material										
0		SS 316								
1		Brass								
2		Others on request								
Flow Coefficient (Cv)										
0		1.0								
1		1.5 (only for water application)								
2		2.0 (only for water application)								
Seat Material										
0		PEEK								
Diaphragm Material										
0		Nitrile (Up to 70°C and 10 bar)								
1		Viton (Up to 170°C and 10 bar)								
2		Metallic (Up to 170°C and 40 bar)								
Output Range										
0		up to 0.68 bar (10 psig)								
1		Up to 1.72 bar (25 psig)								
2		Up to 3.45 bar (50 psig)								
3		Up to 6.8 bar (100 psig)								
4		Up to 17.2 bar (250 psig)								
5		Up to 40 bar (580 psig)								
Pressure Gauge Selection										
0		Without Gauge								
1		With Gauge								
Knob Option										
0		Standard (Plastic)								
1		Metal Nut (Note 1)								

Note 1
Where media itself can increased temperature during regulation.
For Example SF6 Gas