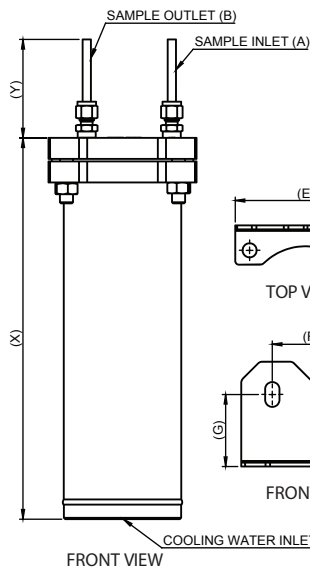
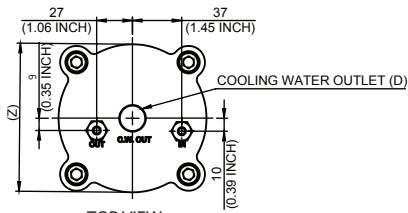
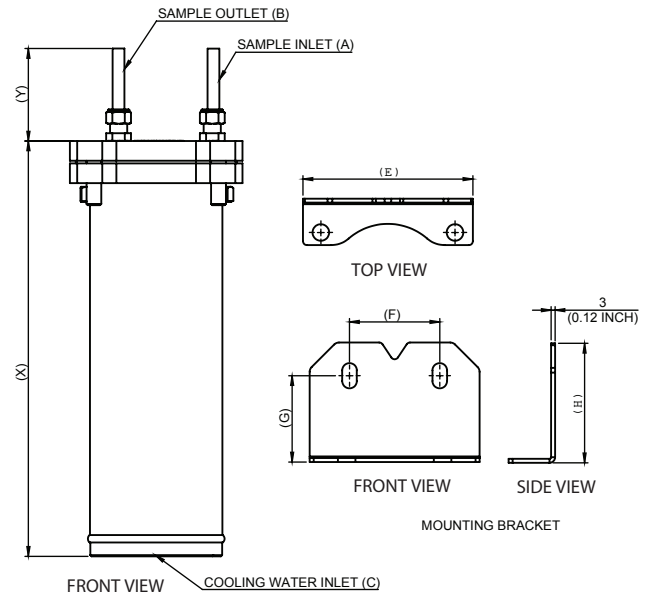
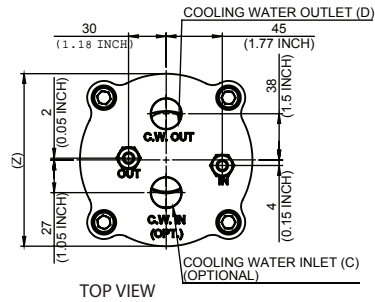


HBRIX - MM



DIMENSIONS AS PER TABLE A, B, C

HBRIX - LE / XL



DIMENSIONS AS PER TABLE A,B,C

SPECIFICATIONS

| TABLE-A | | | | | | | |
|---------|----|----------------------------|-----|------|----|------|-----|
| PART NO | | OVER ALL DIMENSION DETAILS | | | | | |
| | | X | | Y | | Z | |
| | | inch | mm | inch | mm | inch | mm |
| HBRIX | SL | 5.7 | 145 | 2.9 | 75 | 4.44 | 113 |
| HBRIX | MM | 11.45 | 291 | 2.9 | 75 | 4.44 | 113 |
| HBRIX | LE | 13.26 | 337 | 2.9 | 75 | 5.5 | 140 |
| HBRIX | XL | 16 | 406 | 3.5 | 89 | 5.63 | 143 |

| TABLE-B | | | | | | | | | |
|---------|----|--|-------|------|----|------|----|------|----|
| PART NO | | MOUNTING BRACKET WITH MOUNTING DETAILS | | | | | | | |
| | | E | | F | | G | | H | |
| | | inch | mm | inch | mm | inch | mm | inch | mm |
| HBRIX | SL | 4.23 | 107.5 | 2.36 | 60 | 2.16 | 55 | 3.14 | 80 |
| HBRIX | MM | 4.23 | 107.5 | 2.36 | 60 | 2.16 | 55 | 3.14 | 80 |
| HBRIX | LE | 5.03 | 128 | 2.67 | 68 | 2.55 | 65 | 3.54 | 90 |
| HBRIX | XL | 5.03 | 128 | 2.67 | 68 | 2.55 | 65 | 3.54 | 90 |

| TABLE-C | | | | | |
|---------|----|------------------------|--------------|--------------|--------------|
| PART NO | | END CONNECTION DETAILS | | | |
| | | A | B | C | D |
| HBRIX | SL | 1/4" OD tube | 1/4" OD tube | 3/8" NPT (F) | 3/8" NPT (F) |
| HBRIX | MM | 1/4" OD tube | 1/4" OD tube | 3/4" NPT (F) | 1/2" NPT (F) |
| HBRIX | LE | 3/8" OD Tube | 3/8" OD Tube | 3/4" NPT (F) | 3/4" NPT (F) |
| HBRIX | XL | 3/8" OD Tube | 3/8" OD Tube | 3/4" NPT (F) | 3/4" NPT (F) |

PERFORMANCE SPECIFICATIONS

| Sr. No. | MODEL | SHELL RATING | TUBE RATING | SHELL MOC | TUBE MOC |
|---------|----------|-----------------|--|-------------|--|
| 1 | HBRIX-SL | 31 Bar at 343°C | 5700 PSI at 1000°F (393 bar at 537°C) | SS 304 | SS316 1/4" OD x 1.2 mm (0.049") |
| | | 31 Bar at 343°C | 2625 PSI at 1000°F (181 bar at 537°C) | Inconel 625 | Alloy 625 1/4" OD x 1.2 mm (0.049") |
| 2 | HBRIX-MM | 31 Bar at 343°C | 5700 PSI at 1000°F (393 bar at 537°C) | SS 304 | SS316 1/4" OD x 1.2 mm (0.049") |
| | | 31 Bar at 343°C | 2625 PSI at 1000°F (181 bar at 537°C) | Inconel 625 | Alloy 625 1/4" OD x 1.2 mm (0.049") |
| 3 | HBRIX-LE | 31 Bar at 260°C | 4940 PSI at 1000°F (341 bar at 537°C) | SS 304 | SS316 3/8" OD x 1.6 mm (0.063") |
| | | 31 Bar at 343°C | 2275 PSI at 1000°F (157 bar at 537°C) | Inconel 625 | Alloy 625 3/8" OD x 1.6 mm (0.063") |
| 4 | HBRIX-XL | 31 Bar at 260°C | 4940 PSI at 1000°F (341 bar at 537°C) | SS 304 | SS316 3/8" OD x 1.6 mm (0.063") |
| | | 31 Bar at 343°C | 2275 PSI at 1000°F (157 bar at 537°C) | Inconel 625 | Alloy 625 3/8" OD x 1.6 mm (0.063") |

TECHNICAL SPECIFICATION

| General | |
|----------------------|---|
| Mounting | Clamp provide with each cooler for mounting |
| Dimensions | Refer Table A |
| Sample | Gas , Steam and Water |
| Tube Material | SS 316/ Alloy 625 (Inconel) |
| Shell material | SS 304/ SS 316/ Alloy 625 (Inconel) |
| Connections | |
| Sample Inlet | Refer Table C column A |
| Sample Outlet | Refer Table C column B |
| Cooling Water Inlet | Refer Table C column C |
| Cooling Water Outlet | Refer Table C column D |

| PART NO. | COOLING AREA | WEIGHT |
|----------|---------------------|---------|
| HBRIX SL | 2 ft ² | 5.1 kg |
| HBRIX MM | 4.4 ft ² | 7.7 kg |
| HBRIX LE | 5.8 ft ² | 11.4 kg |
| HBRIX XL | 7.2 ft ² | 13 kg |

ORDERING INFORMATION

| HBRIX | | | |
|-----------------------|--|--|----------------------|
| COOLER MODEL | | | |
| SL | | | SMALL |
| MM | | | MEDIUM |
| LE | | | LARGE |
| XL | | | EXTRA LARGE |
| SHELL MATERIAL | | | |
| S4 | | | SS 304 |
| S6 | | | SS 316 |
| SI | | | INCONEL |
| TUBE MATERIAL | | | |
| T6 | | | SS 316 |
| TI | | | INCONEL |
| CERTIFICATION | | | |
| N | | | STANDARD CERTIFICATE |

Note: HBRIX-SL Series cooler are available with Shell MOC: SS 304 and Tube MOC: SS 316 Only.

PRODUCT / ACCESSORIES

HBRIX-SL

| Description | Part No. | Quantity |
|---|------------|----------|
| Sample Cooler | HBRIX-SL | 1 No. |
| SS 316 Union 1/4" OD x 1/4" OD | SS-400-6 | 2 No. |
| SS 316 Male Connector, 3/8" NPT (M) x 3/8" OD | SS-600-1-6 | 2 No. |

HBRIX-MM

| Description | Part No. | Quantity |
|--|--------------|----------|
| Sample Cooler | HBRIX-MM | 1 No. |
| SS 316 Union 1/4" OD x 1/4" OD | SS-400-6 | 2 No. |
| SS 316 Male Connector 1/2" NPT (M) x 1/2" OD | SS-810-1-8 | 1 No. |
| SS 316 Male Connector 3/4" NPT (M) x 3/4" OD | SS-1210-1-12 | 1 No. |

HBRIX-LE

| Description | Part No. | Quantity |
|--|--------------|----------|
| Sample Cooler | HBRIX-LE | 1 No. |
| SS 316 Union 3/8" OD x 1/4" OD | SS-600-6-4 | 2 No. |
| SS 316 Male Connector 3/4" NPT (M) x 3/4" OD | SS-1210-1-12 | 2 No. |

HBRIX-XL

| Description | Part No. | Quantity |
|--|--------------|----------|
| Sample Cooler | HBRIX-XL | 1 No. |
| SS 316 Union 3/8" OD x 1/4" OD | SS-600-6-4 | 2 No. |
| SS 316 Male Connector 3/4" NPT (M) x 3/4" OD | SS-1210-1-12 | 2 No. |

SPARE / ACCESSORIES

| Description | Part No. | Quantity |
|--------------------------------------|--------------|----------|
| Relief Valve 3/8" | RV1 | 1 No. |
| Relief Valve 1/2" | RV1-12 | 1 No. |
| Drain Plug 3/8" (for SL) | ASPL9510 | 1 No. |
| Drain Plug 3/4" (for LE & XL) | ASPL5134 | 1 No. |
| Union 1/4" OD | SS-400-9 | 2 No. |
| Union 3/8" OD | SS-600-6 | 2 No. |
| Male Connector 1/4" OD x 1/2" NPT(M) | 316L-810-1-8 | 1 No. |
| Male Connector 3/4" OD x 3/4" NPT(M) | SS-1210-1-12 | 1 No. |