

Vortex Cooler & Vortex Tube

VC2 & VT1



VC2



VT1



FEATURES

- » Cost effective
- » Easy for installation
- » Less maintenance
- » No electricity required

ADVANTAGES

- » Less space for installation
- » Provide cold air to stop industrial Panel overheating
- » No moving parts
- » Suitable for harsh condition

DESCRIPTION

Axis Vortex Cooler VC2 are designed to deliver continuous cold air to industrial panel to avoid overheating the system.

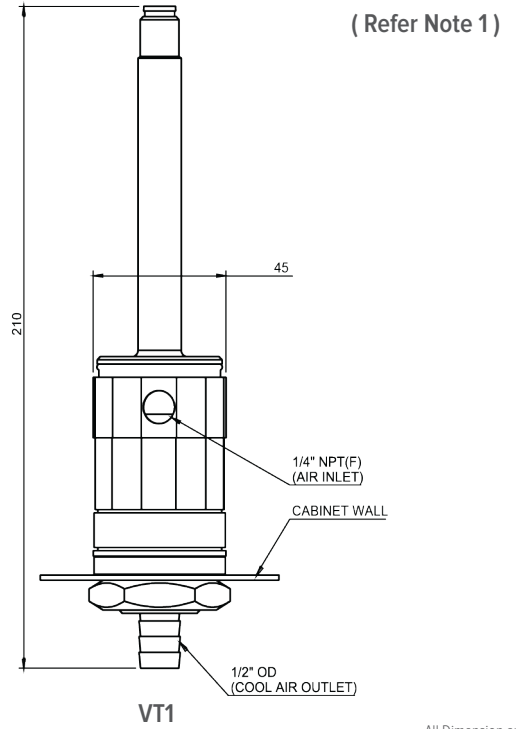
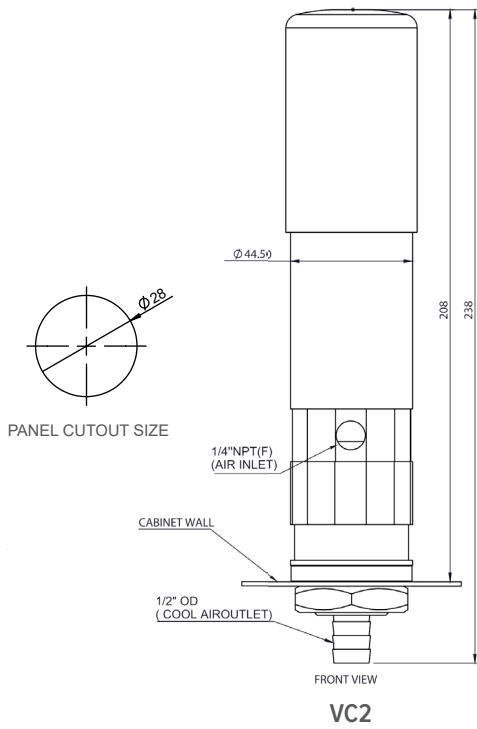
Axis Vortex Tube VT1 are designed to deliver cooling of cutting tools (lathes and mills, both manually-operated and CNC machines) during machining. for challenging environment recommended to use VC2.

It is mainly used where electricity resources is a challenge. It is fully mechanical device hence very less maintenance is required. Used in Oil and Gas refinery, power, chemical, pharmaceutical industries, product chilling machine, industrial PC cooling as well as machine control panel.

Many features of the VC2 & VT1 make it ideal for wide range of applications for air cooling. It has main advantage is that it prevents dust and ingress protection of cabinet / panel / Machine hence eliminates down time of the system or machine.

Basically it works on vortex tube principle , the hot air produced by the hot end the vortex tube and cold air released at opposite end and enters where cooling is required. hot air released to the atmosphere via vent entry of VC2 & VT1.

DIMENSION DETAILS



All Dimension are in MM

TECHNICAL SPECIFICATIONS

Mounting	Panel
Cooling Media	Air
Body Material	SS 316
Dimension	Refer Dimension Detail
Connection	1/4" NPT (F) for air inlet and 1/2" OD for cooling air outlet
Cooling Capacity	Max. 695 W (2370 Btu/Hr.)
Air consumption	Max. 34 CFM and 985 LPM

Note 1 : Its hot surface so do not touch it while in working condition.

INSTALLATION TYPICAL

