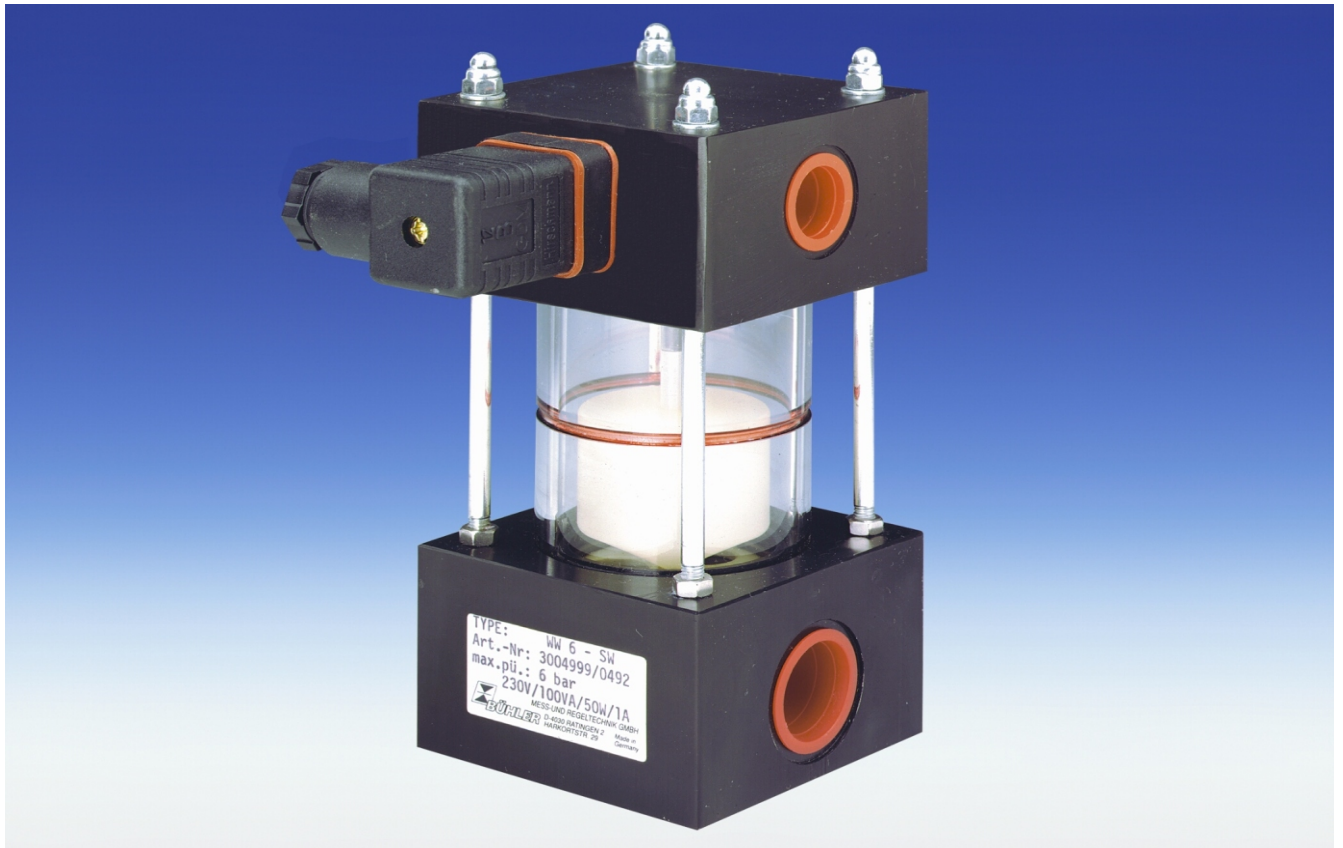


# Water alarm unit WW6



The entrance of water into fluid power or lubrication systems reduces the life of oil significantly and causes damage to other components used in the systems .

The most reliable method of detecting water in oil is to measure the interface level between water and oil when the water is separated. The BÜHLER water alarm units have a float which rises in water but sinks in oil. It only takes a build-up of around 90 ml of water in the sight glass to elevate the float and actuate a contact to signal danger.

Water alarm units for intank installation as well as with two switching points and higher maximum pressure are available upon request.

- **Reliable physical measuring system**
- **High sensitivity**
- **Easy installation**
- **Independent of oil chemistry**
- **Assembly kit available**

## Technical Data

Max. operating pressure	6 bar
Operating temperature	max. 80°C min. 0°C
Max. viscosity	1200 mm <sup>2</sup> /s
Density of oil	max 0.86 kg/m <sup>3</sup>

### Material

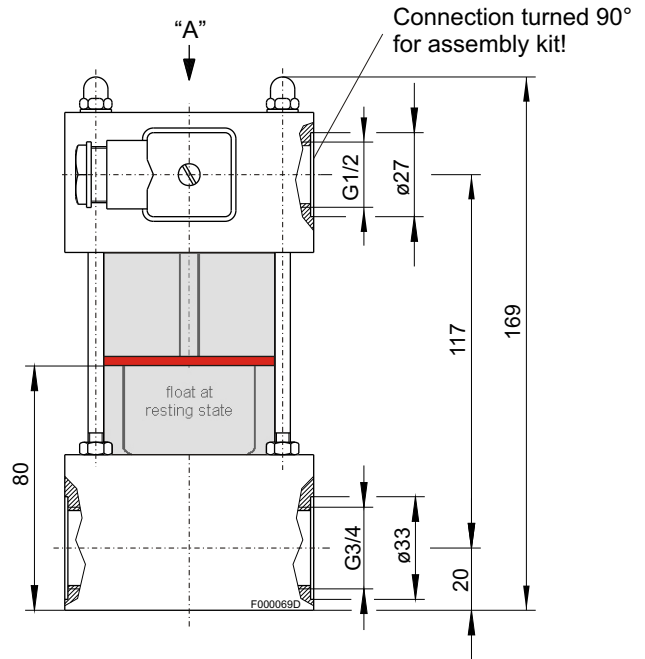
Housing	AL / PC
Float	PP

Type of contacts	reed contacts as NO*- or change over- contact
Max. operating voltage	230 V AC/DC
Max. power	50 VA / 40 VA
Max. current	1 A

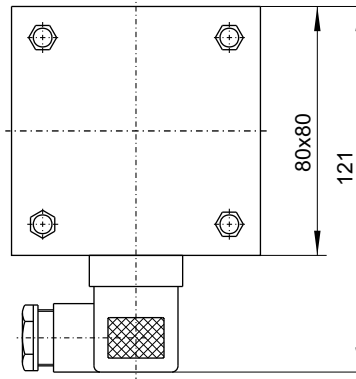
Connector	M3 3pol. + PE DIN EN 175301-803
Protection class	IP 65
Cable gland	PG 11
Weight	approx. 1,35 kg

\*NO=normally open

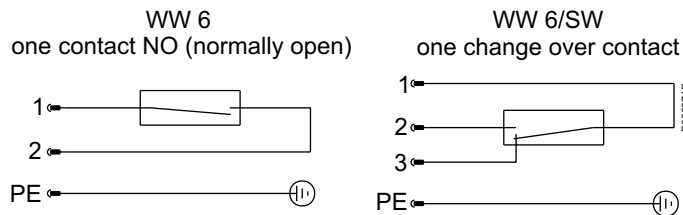
## Dimensions (mm)



VIEW "A"



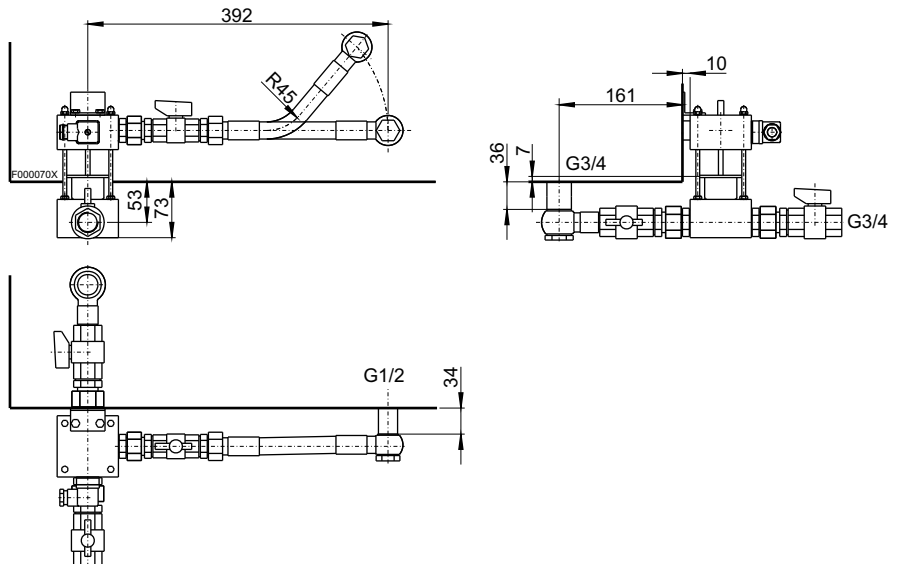
### Wiring Diagram



All figures at **empty reservoir** (float on bottom).

### Assembly kit

The assembly kit enables a compact and easy installation of the water alarm unit to the oil reservoir. The set comprises all connections, fittings and shut off valves. The fittings provide a very small "dead" volume. The upper connection is a flexible hose, thus providing a very simple installation.



### Order Information

Part-no.	Description
3003999	Water alarm unit WW6, one contact NO
3016999	Water alarm unit WW6, connection G1/2 turned 90°
3003899	WW6 including assembly kit
3004999	Water alarm unit WW6/SW, one change over contact
3017999	Water alarm unit WW6/SW, connection G1/2 turned 90°
3004699	WW6 including assembly kit
3204999	Assembly kit