



## Sample gas probe ECO

The traditional assembly of sample gas probes vastly complies with the VDI/VDE guidelines 3516 from 1978. Based on advances made since then, particularly in dust filtration, we now have technical solutions which are far superior to the traditional versions. Particularly for use in low temperature applications but moderate to high dust loads, using the newly developed ECO probe can particularly considerably reduce the maintenance costs of filters. Yet a simple, compact design was also important to us to keep purchase and installation costs low. The heart of the ECO probe is the probe body, which holds the solenoid valves necessary to blowback the filter element, but also the air reservoir needed for more efficient blowback. The filter element is located directly inside the process and can be sintered stainless steel or textile. The dust which collects on the filter element is blow directly back into the process during blowback.

Compact design

Effective cleaning

Various filter materials

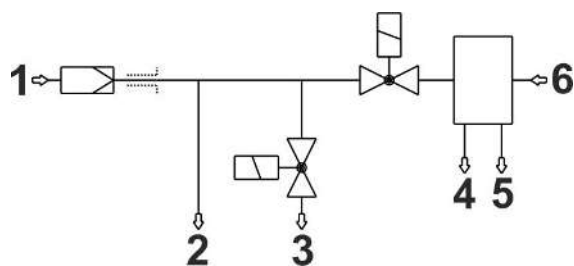
Dirt remains inside the process

Long maintenance intervals

Easy installation



## Functional diagram



- 1= sampling tube (accessory)
- 2= NPT 1/4" connection (e.g. calibrating gas)
- 3= sample gas Off NPT 1/4"
- 4= G1/4 connector (e.g. pressure gauge)
- 5= condensate Off G1/4
- 6= air connection G1/4

## Technical Data

### Gas Probe Technical Data

Flange:	1.4571
Head:	1.4571
Gas inlet temperature:	max. 120 °C
Ambient temperature:	-20 to +60 °C
Solenoid valve:	VA/ Viton/ EPDM 24 VDC
Weight without filter element:	approx. 9.3 kg
Reservoir:	1.4571
Reservoir volume:	2 L
Reservoir max. operating pressure:	5 bar

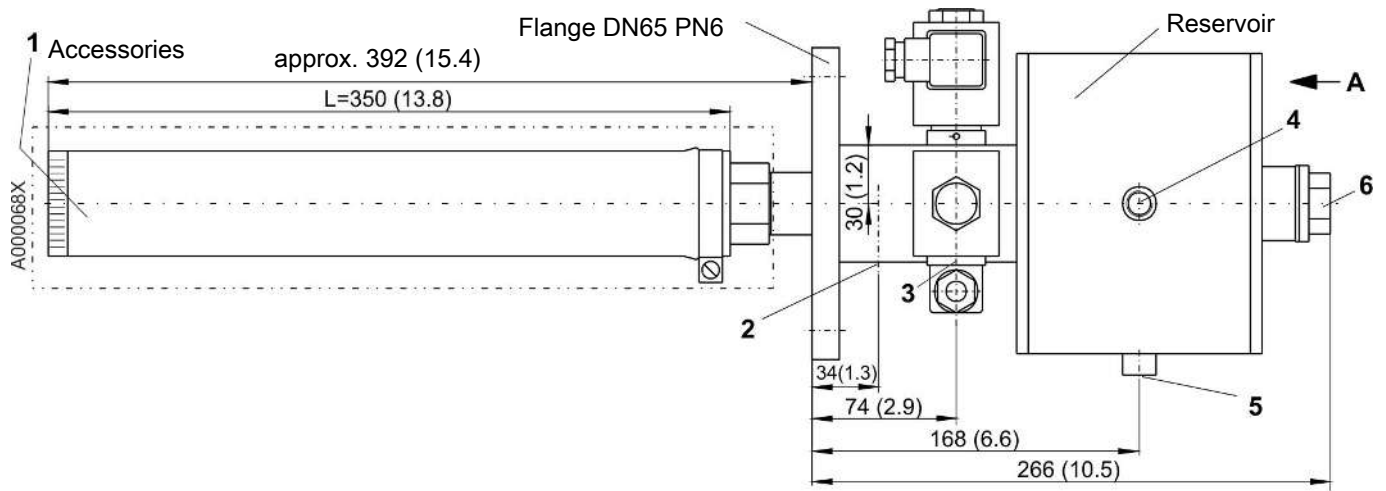
## Options

The base unit becomes functional by adding accessories suitable for the application. Please refer to accessory data sheet no. 461099 for information.

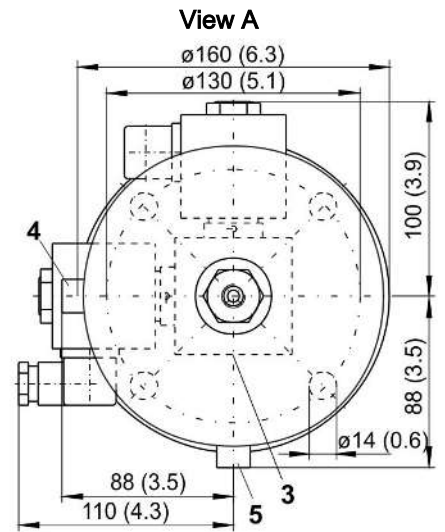
## Ordering Instructions

Item no.	Description	Material
46 22 290	Sample Gas Probe ECO	
46 22 2007	Sampling tube 10, max. 135°C	Polyester / 1.4571
46 22 2015	Sampling tube 11, max. 260°C	PTFE / 1.4571
46 22 2303	Sampling tube 03, max. 600°C	1.4571
46 22 20071	Spare filter hose	Polyester
46 22 20072	Spare filter hose	PTFE

Dimensions



- 1= sampling tube (accessory)
- 2= NPT 1/4" connection (e.g. calibrating gas)
- 3= sample gas Off NPT 1/4"
- 4= G1/4 connector (e.g. pressure gauge)
- 5= condensate Off G1/4
- 6= air connection G1/4



Axis Solutions Pvt Ltd is the Authorized Distributor of Bühler Technologies GmbH in India  
[www.axisindia.in](http://www.axisindia.in) | [info@axisindia.in](mailto:info@axisindia.in)