

Sample gas probe GAS 222.20-DH ANSI

In many applications gas analysis is the key for safe and efficient control of process flows, environmental protection and quality assurance. In extractive gas analysis the location of the gas sampling point is crucial for the reproducibility and accuracy of the analysis results.

The specific filter capacity, corrosion resistance and functional equipment requirements for the probe arise from the composition of the sample gas.

However, operating costs are also an important criterion in the selection, as the sampling points are frequently located at hard to access points in the system. Effective particle filter backwashing options and low maintenance characterise the extensive GAS probe series.

Heated probe with downstream filter and weather hood

The downstream filter can easily be removed by turning the handle 90°

The probe body and the area around the screw connection for the heated sample gas line are completely isolated

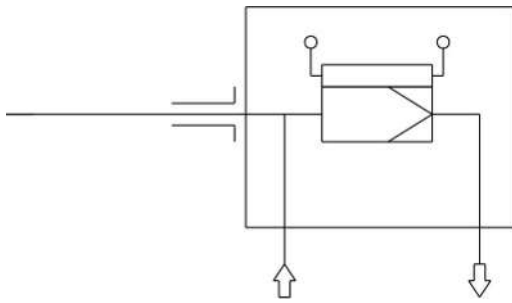
Steam-heated

For dust loads up to 2 g/m³

This probe has no innate ignition source and is therefore suitable for use in Ex areas



Flow Diagram



Technical Data

Gas Probe Technical Data

Probe operating temperature:	max. 200 °C
Ambient temperature:	-20 °C to 100 °C
Max. operating pressure:	6 bar
Max. steam pressure:	5 bar
Parts in contact with media:	Flange: 1.4571 Seals: Graphite/1.4404

Ordering instructions

The item number is a code for the configuration of your unit. Please use the following model key:

4622220	1	9	9	0	9	X	0	0	9	9	9	9	9	9	9	Product Characteristics
														Flange/approval		
														ANSI 3"-150 lbs (ANSI CSA)		
														Cleaning the probe		
														Steam		
														Calibrating gas connection		
														0	No calibrating gas connection	
														1	6 mm	
														2	6 mm + check valve	
														3	1/4"	
														4	1/4" + check valve	

Options

The base unit becomes functional by adding accessories suitable for the application. Please refer to accessory data sheet no. 461099 for information.

Please also refer to data sheet no. 461000 "GAS 222 Gas Probes" for a general description.

Axis Solutions Pvt Ltd is the Authorized Distributor of Bühler Technologies GmbH in India
www.axisindia.in | info@axisindia.in

Dimensions

