

## LCT - 01

### CAPACITANCE LEVEL TRANSMITTER

#### Features

- Electronics Protection Class : Weatherproof IP 65, IP 67
- Trouble free operation of conductive / non conductive Liquids, slurries
- Two Wire System
- 4–20mA DC Output

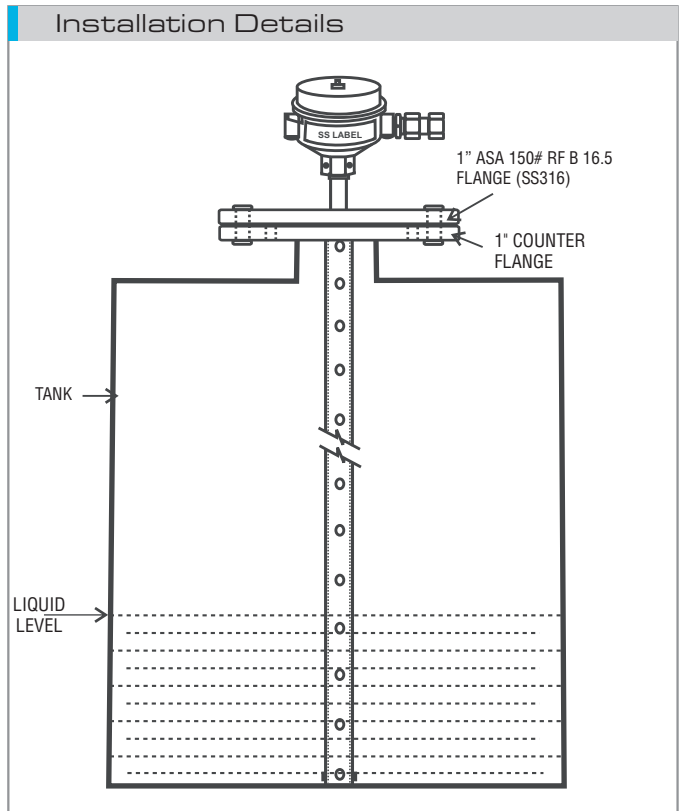
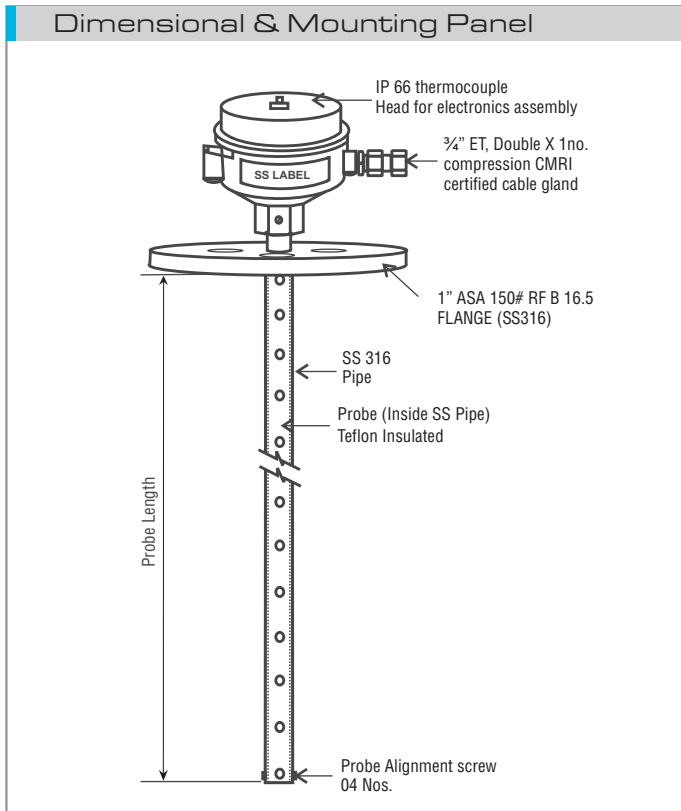
#### Description

**B**RIX series LCT-01 are capacitance type level transmitters. Vessel wall & probe forms two electrodes. If vessel is of non conductive material, the probe will be double rod type. The distance between electrode & surface area of electrodes remain unchanged. The variable is the depth of the material being measured which represents the dielectric constant between two electrodes. Air & vacuum have relative dielectric constant as 1 & that of liquids, it is greater than 1. The capacitance of the capacitor therefore depends on how much material lies between the probe & vessel wall i.e. Whether the probe is covered with or free from material. The capacitor changes with change in level of the material & provides corresponding 4–20 mA DC continuous output.



#### Technical Specifications

Probe Length	1) Upto 2 mtr. –Rod Type
Measuring Range	1) Single Rod (Upto 2000 mm) 2) Coaxial (Upto 2000 mm) 3) Rope Type (Above 2000 mm)
Type of Output	4 to 20 mA DC, 2 Wire
Accuracy	+/- 1% F. S.
Linearity	+/- 1%
Process Temperature	100°C max
Process Pressure	10 kg/cm <sup>2</sup> max
Probe MOC	SS316
Power Supply	1) 24 V DC (+/- 10%)    2) 24V DC 4 to mA Current Loop Powered
Power Consumption	< 6 VA
Response Time	< 1000 mSec
Temperature Coefficient	+/- 0.01% per °C
Electronic Protection Class	Weather Proof IP-65, IP-67
Process Connection	1) 1" BSP (M)                    2) 1½" BSP (M)                    3) 2" PVC Flanged 4) 2" S S316 Flanged    5) 50 NB S S316 Tri Clover
Mounting	Top of the tank
Operating Conditions	Temperature 0 to 75°C / Humidity 5 to 95% non condensing at 25°C
<b>OPTIONAL</b>	
Local Display	8 x 1 LCD (4 Digit)



### Ordering Information

Sample Order Code : 

A2	C1	D2	E1	F1	G1	K4	L2
----	----	----	----	----	----	----	----

Parameter	Code	Description	
<b>A</b>	Measuring Range	A2	600 mm
		A3	1000 mm
		A4	2000 mm
		A5	3000 mm
		A6	6000 mm
		A7	12000 mm
		A8	15000 mm
		<b>C</b>	Electronics Area Classification
C2	Field Mount Weather Proof IP67		
C3	Flameproof (CMRI 2A 2B Certified)		
CY	Other		
<b>D</b>	Power Supply	D2	24 V DC (+/- 10%)
		D5	24 VDC 4 to 20 mA (Current Loop Powered)
<b>E</b>	MOC Electronics Enclosure	E1	Die Cast Aluminium
		E2	SS316
		E3	ABS Plastic

Parameter	Code	Description	
<b>F</b>	Electrical Connection (Cable Entry)	F1	M 20 x 1.5 (F)
		F2	1/2" NPT (F)
		F3	DIN 43650 Connector
<b>G</b>	Local Indication	G1	With Local Indicator
		G2	Without Local Indicator
<b>K</b>	Process Connection	K1	1" BSP (M)
		K2	1 1/2" BSP (M)
		K4	2" PVC Flanged
		K5	2" SS316 Flanged
		K6	50 NB SS316 Tri Clover
		KY	Other
<b>L</b>	Probe Type	L1	Single Rod (Upto 2000 mm)
		L2	Coaxial (Upto 2000 mm)
		L3	Rope Type (Above 2000 mm)
		LX	NA

**Note :**

- Due to our continuous product revisions, design specification and model numbers are subject to change without notice.
- Accuracy defined at Lab Conditions. ▪ For other requirement please consult factory.