

PT - 22

PRESSURE TRANSMITTER



FEATURES

- Piezo Resistive Sensor
- Measuring Range -1 to 700 Bar
- Handy & Maintenance Free
- Reliable & Cost Effective
- Ingress Protection IP 65
- Also available with Display

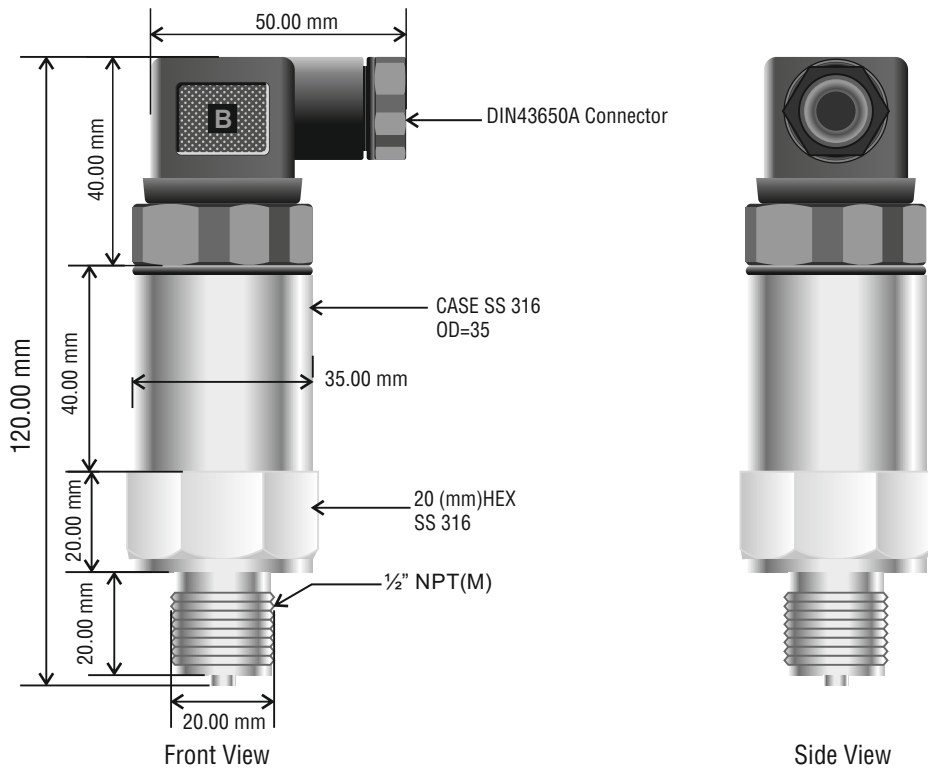


BRIX series PT-22 are Digital Pressure Transmitter for fast, easy & trouble free operation. These transmitters are designed to cover the majority of industrial applications such as clear Gases & Liquids. Electrical output is in the form of 4–20 mA DC proportional to the Input Pressure. All wetted parts are stainless steel & hermitically welded.

Technical Specifications

Sensor Type	Piezo Resistive
Pressure Range	AP URL : From 0.1885 to 300 psi & GP URL : From 0.1885 to 10000 psi
Power Supply	24V DC Two Wire Loop Powered / 12 to 36V DC
Display	LED Display
Output	4 to 20 mA DC, 0 to 10 V
Output Load	Max 600 Ω
Communication Output 1	RS485 (MODBUS RTU)
Accuracy	± 0.25% F. S.
Non Linearity	0.2% of Span
Non Repeatability	< 0.1% of Span
Response Time	<4 mSec for measuring
Over Pressure Safety	2 times max. Pressure range
Burst Pressure	3 times max. Pressure range
Process Temperature	-20 to 120 °C max
Ambient Conditions	Temperature : -20 to 55°C / Humidity : 5 to 95% non condensing
Insulation Resistance	>100 MΩ at 100VDC
Span / Zero Adjustments	Provided
Process Connection	A) Threaded: 1/4" NPT, 2) 1/2" NPT, 3) 1/4" BSP, 4) 1/2" BSP B) Flush Diaphragm (Tri Clover), Flush Diaphragm (1/2" BSP)
Electrical Connection	DIN 43650 Connector
Mounting	Direct Line mount (Vertical)
Material of Construction	All wetted parts SS316 (Options available on request)
Enclosure	SS316 with IP 65 Ingress Protection
Area Classification	Field Mount Weather Proof IP65
Weight	0.4 kg (Approximate)
Certification	CE

Product Drawing & Dimensions for PT 22



Ordering Information

Sample Order Code : A1 B2 D5 H1 I1 L2 M1 P1

Parameter	Code	Description	Parameter	Code	Description			
A	Measurement Type	A1	AP	I	Communication Output1	I1	RS485 (MODBUS RTU)	
		A2	GP				IX	NA
B	Pressure Range	B1	0.1885 psi	L	Diaphragm Material	L1	SS316L	
		B2	1.16 psi			L2	Hastelloy C	
		B3	5.801 psi			LY	Other	
		B4	29.007 psi	M	Fill Fluid	M1	Silicon Oil	
		B5	100 psi			MY	Other	
		B6	300 psi		P	Process Connection	P1	¼" NPT (M)
		B7	1000 psi				P2	½" NPT (M)
		B8	3000 psi				P3	¼" BSP (M)
		B9	6000 psi				P4	½" BSP (M)
		B10	10000 psi				P5	¼" NPT (F)
AP URL : From 0.1885 to 300 psi & GP URL : From 0.1885 to 10000 psi			P6	½" NPT (F)				
D	Power Supply	D4	24V DC Two Wire Loop Powered	P7			¼" BSP (F)	
		D5	12 to 36V DC	P8			½" BSP (F)	
		DY	Other	P9			Flush Diaphragm (Triclover)	
H	Output	H1	4 to 20 mA	P10			Flush Diaphragm (1" BSP)	
		H2	0 to 10 V	PY	Other			
		HY	Other	Note : <ul style="list-style-type: none"> Due to our continuous product revisions, design specification and model numbers are subject to change without notice. Accuracy defined at Lab Conditions. For other requirement please consult factory. 				

Applications

Food Industry	Chemical Industry	Atomic Energy	Manufacturing Industry
Automation Industry	Thermal Power Energy	Process Industry	Water Treatment Industry