

High Precision Pressure Regulator

PRG5



PRG5LP



PRG5



PRG5-HP



FEATURES

- » Economical
- » Wall / Line Mount
- » Less maintenance
- » Easy to install

ADVANTAGES

- » Less space occupied due to horizontal installation
- » Used up to 300 bar and up to 170°C media temperature
- » Highly reliable for continuous operation
- » Designed for precised Control

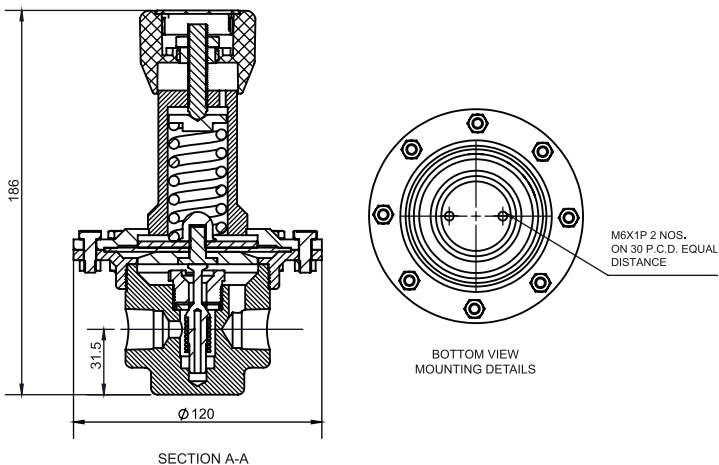
DESCRIPTION

PRG5 represents the pinnacle of precision and advancement in pressure regulation technology. Unlike its predecessors, PRG5 ensures that even in the face of fluctuating inlet pressures, the outlet pressure remains unwaveringly constant. Its unparalleled accuracy and stability make it the preferred choice for industries where precision is paramount.

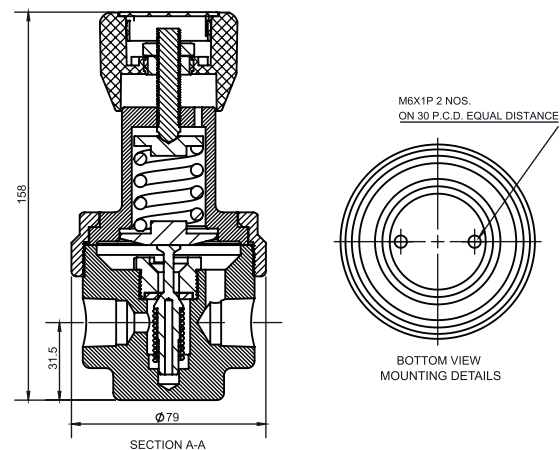
Used in Oil and refinery, power, chemical and any type of process industries.

It has wide operating range up to 300 bar and up to 170°C media temperature can be sustained. PRG5 Models can also be used for water, Gas & Steam application.

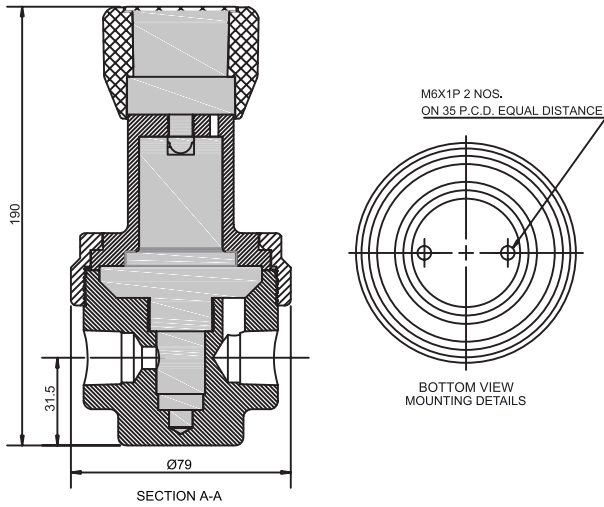
PRG5LP DIMENSION DETAILS



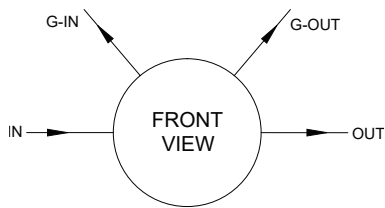
PRG5 DIMENSION DETAILS



PRG5HP DIMENSION DETAILS



PORT LOCATION



TECHNICAL SPECIFICATIONS

Mounting	Wall / Line
Body Material	SS 316 / Brass / Others on request*
Seat Material	PEEK / PCTFE
Diaphragm	Nitrile / Metallic
Dimension	Refer Dimension Detail
Flow Capacity	Cv = 1.0
In/Out Connections	1/4" NPT (F) / 3/8" NPT (F) / 1/2" NPT (F)
Gauge Connections	1/4" NPT (F)
Inlet Filter	1/4" OD 5µ, 3/8" OD 5µ, 1/2" OD 5µ
Inlet Pressure	Max. 300 bar (4351 psig)
Outlet Pressure	Refer ordering table

Note : Clear Filter for avoid choke up
 (*) Other than SS 316, MOQ will be applicable

ORDERING INFORMATIONS

PRG5		
Body Material		
0		SS 316
1		Brass (Note 1)
2		Others on request
Flow Coefficient (Cv)		
0		1.0
Seat Material		
0		PCTFE
1		PEEK
Diaphragm Material		
0		Nitrile (Up to 70°C and 1 bar)
1		Metallic (Above 70°C and 1 bar)
Output Range*		
0		Up to 1 bar (15 psig)*
1		Up to 3.45 bar (50 psig)**
2		Up to 6.8 bar (100 psig)**
3		10 bar (145 psig) to 110 bar (1595 psig)***
Connections (Inlet & Outlet)		
0		1/4" NPT (F)
1		3/8" NPT (F)
2		1/2" NPT (F)
Pressure Gauge Selection		
0		Without Gauge
1		With Gauge
Knob Option		
0		Standard (Plastic)
1		Adjustable screw (Note 2)
Type		
0		Balanced

Note 1 : On special request over MOQ
Note 2 : When media temperature >100°C, When outlet pressure ≥ 60 bar

Note :
 (*) Applicable to PRG5LP Model
 (**) Applicable to PRG5 Model
 (***) Applicable to PRG5HP Model