

Piston Type Pressure Regulator

PRG4HP



PRG4



FEATURES

- » Economical
- » Wall / Line Mount
- » Less maintenance
- » Easy to install

ADVANTAGES

- » Less space occupied due to horizontal installation
- » Used up to 400 bar and 170°C media temperature
- » Highly reliable for continuous operation
- » Designed for precised Control

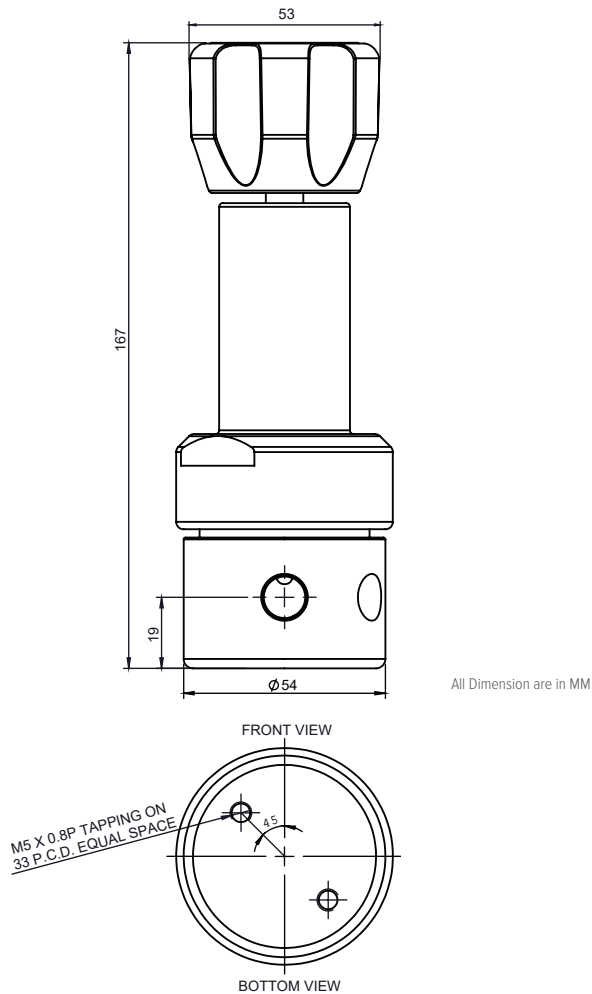
DESCRIPTION

Axis Pressure regulator is designed to deliver continuous & precise control to further system. It is single stage pressure control regulator. It is mainly used in instrumentation sample handling system for all type of Gas media application.

Used in Oil and refinery, power, chemical and any type of process industries.

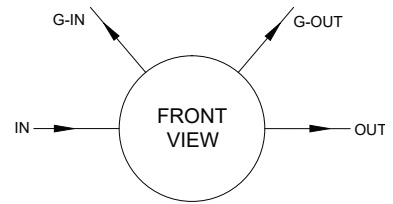
Many features of the PRG4HP make it ideal for wide range of applications controlling pressures at low to adequate flows in gas media. It has wide operating range up to 400 bar and up to 170°C media temperature can be sustained. PRG4HP can also be used for water application.

DIMENSION DETAILS



All Dimension are in MM

PORT LOCATION



ORDERING INFORMATION

PRG4HP							9
Body Material							
0		SS 316					
1		Others on request					
Flow Coefficient (Cv)							
0		0.06					
1		0.10					
Seat Material							
0		PCTFE					
1		PEEK					
Piston Material							
0		SS 316 (with Viton o-ring) (up to 170°C & 110 bar)					
Output Range							
0		Up to 34.4 bar (500 psig)					
1		Up to 110 bar (1595 psig)					
Pressure Gauge Selection							
0		Without Gauge					
1		With Gauge					
Knob Option							
0		Standard (Plastic)					
1		Adjustable screw (Note 1)					

Note 1

When media temperature >100°C

TECHNICAL SPECIFICATIONS

Mounting	Wall / Line
Body Material	SS 316 / Others on request*
Seat Material	PCTFE / PEEK
Piston	Piston Sence
Dimension	Refer Dimension Detail
Flow Capacity	Cv = 0.06 , Other =0.10
Connections	1/4" NPT (F) / 3/8" NPT (F)
Inlet Filter	1/4" OD 5µ
Inlet Pressure	Max. 400 bar (4525.18 psig)
Pressure control range	Refer table

Note : Clear Filter for avoid choke up

(*) Other than SS 316, MOQ will be applicable